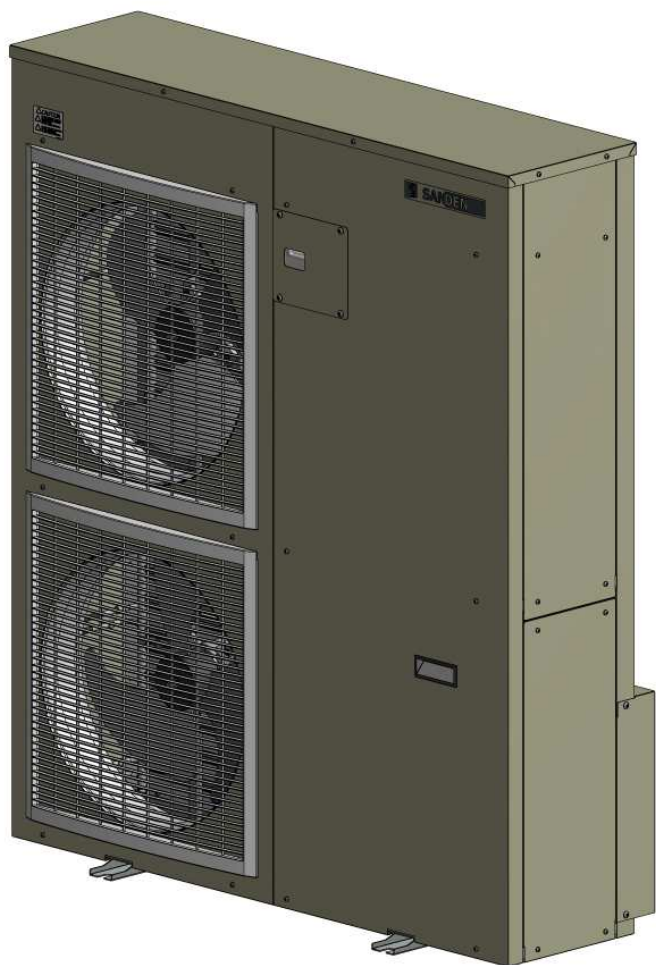




Spare Parts Catalogue

CDU-R06A2C

Revision: 002 Date: 13/02/2023



This pdf Manual has been created on the date indicated.
The latest version (inter-active) is available on web-site www.sandenvendo.com Client Area.
Thank you



English Version

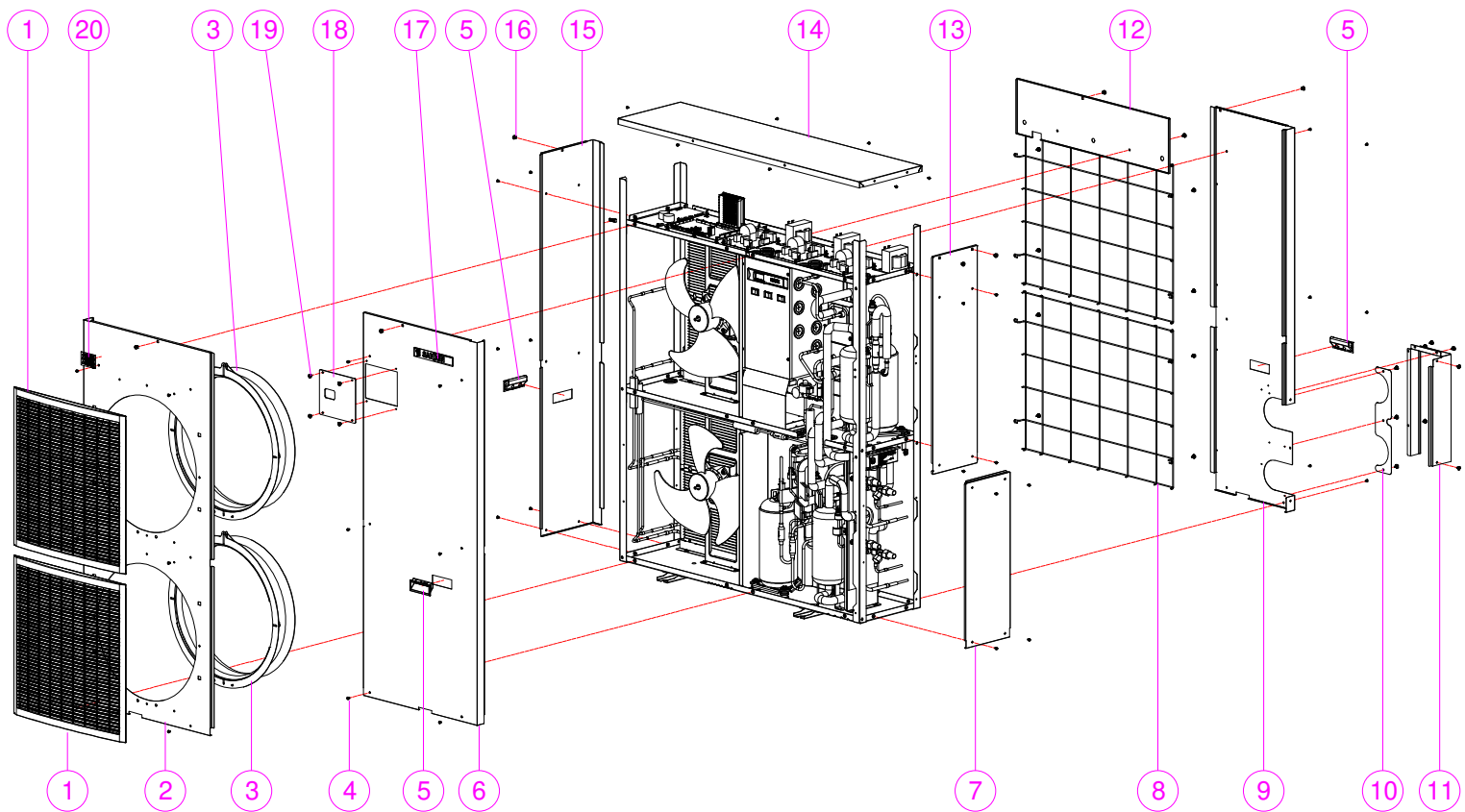


SandenVendo Europe S.p.A. - Regione Cavallino,2 - 15030 Coniolo (AL) - Italy

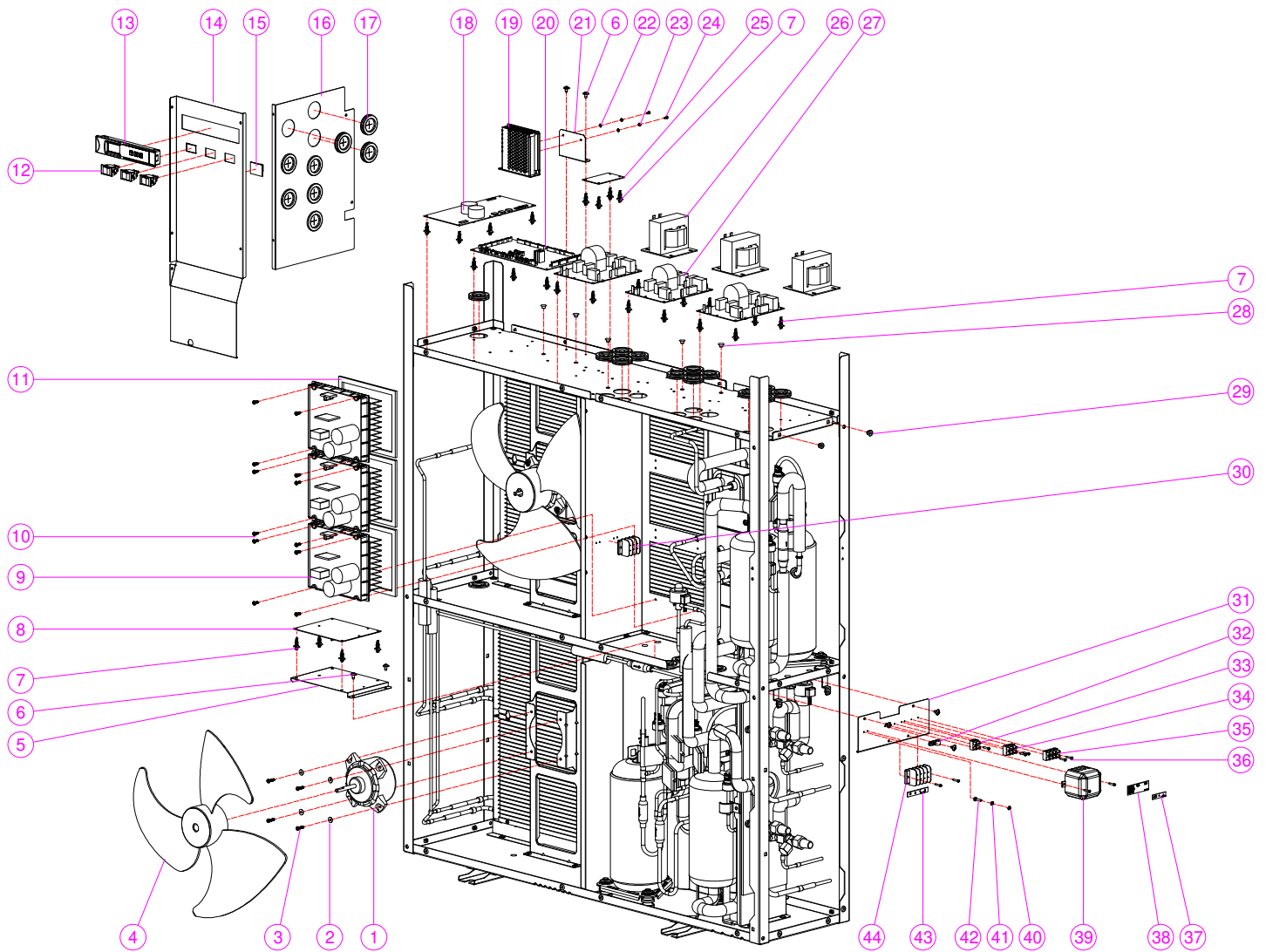
Tel. +39 0142.335119 - Fax +39 0142.562348 - E-mail: marketing@sandenvendo.it - Web: www.sandenvendo.com

Index

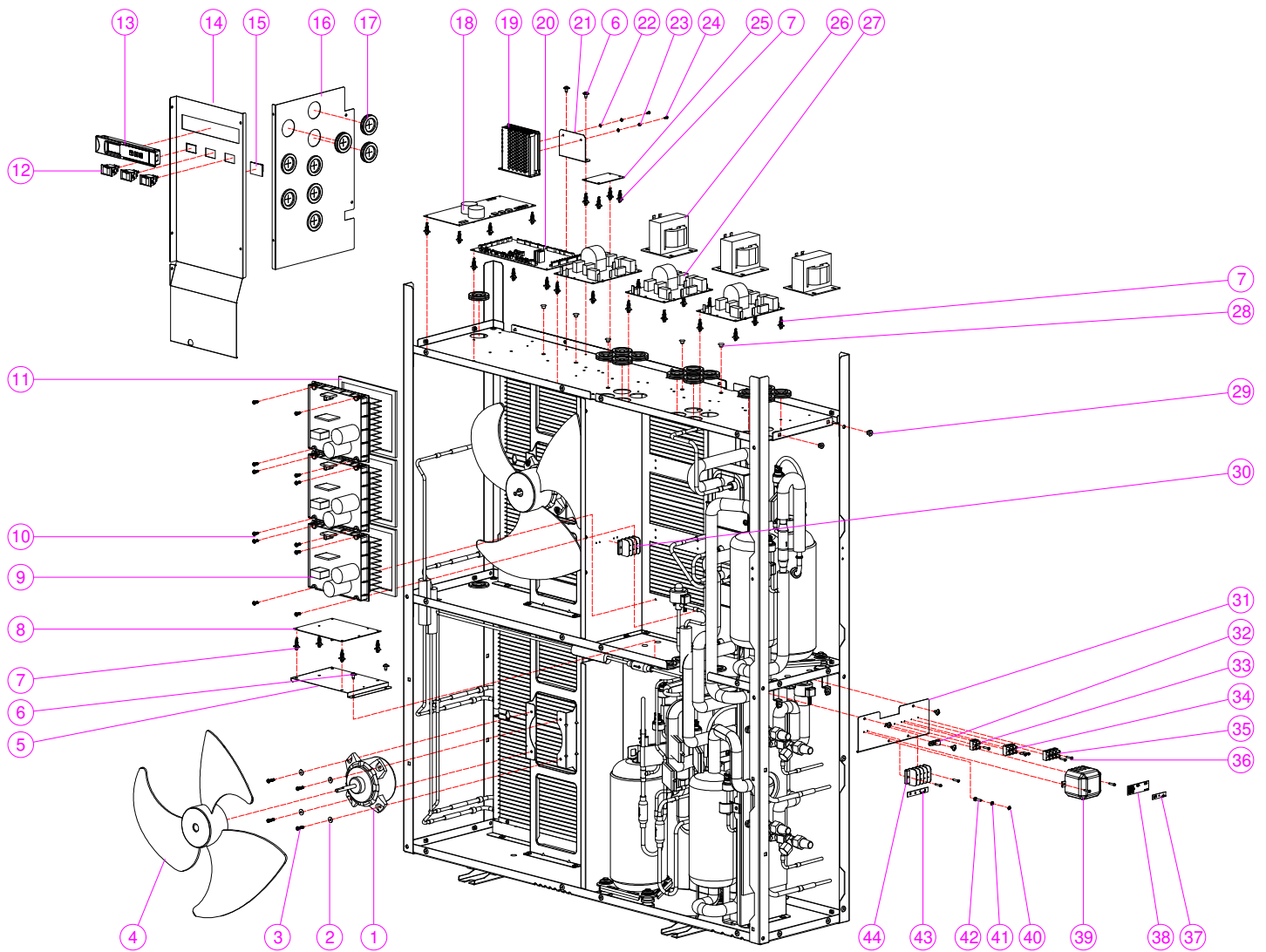
Contents	Page
OUTER BOX PART	2
ELECTRICAL COMPONENTS	3
INSIDE OF STORAGE	6
WIRING DIAGRAM	8



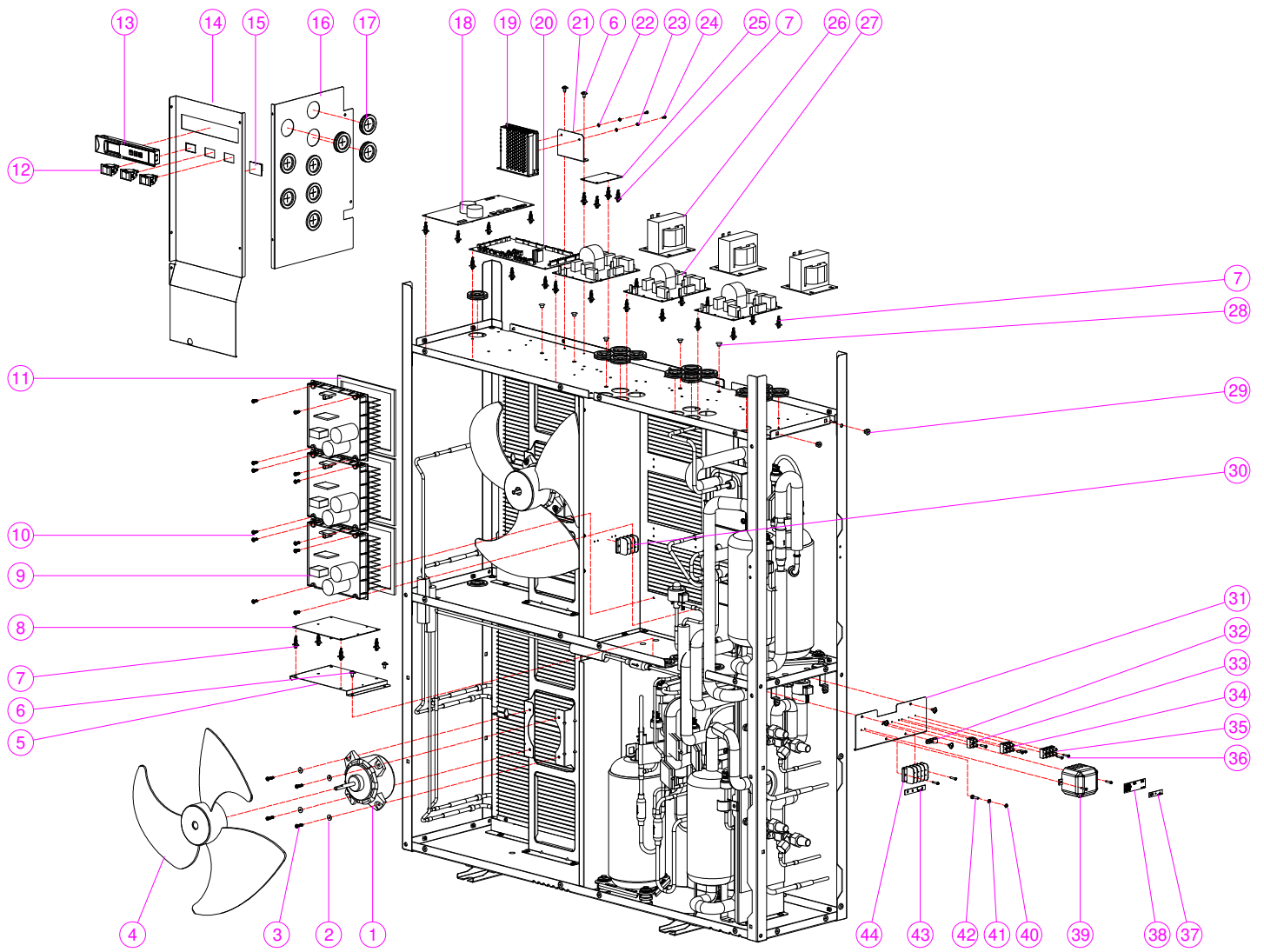
Pos	Code	Description	Serial Number	Nota
1	44004-42851-A	FAN GUARD		
2	414545	PANEL FRONT LEFT		
3	40307-43221-A	SHROUD		
4	V800565	SCREW T1/2T+ 4,2X6,5		
5	411252	HANDLE		
6	414824	FRONT PANEL		
7	414826	PANEL RIGHT LOWER		
8	414595	ASSY WIRE		
9	414578	PANEL REAR RIGHT		
10	414583	PIPE COVER		
11	414582	ELEC. COVER		
12	414546	PANEL REAR UPPER		
13	414825	PANEL RIGHT TOP		
14	414544	TOP PANEL		
15	414547	PANEL LEFT		
16	323005	SNAP IN NUT		
17	40970-43450	LOGO SANDEN		
18	142703	AU OPERATION WINDOW		
19	V800570	SCREW T1+4,8X9,5 S.POINT		
20	21619-40890	PL PLT CS		



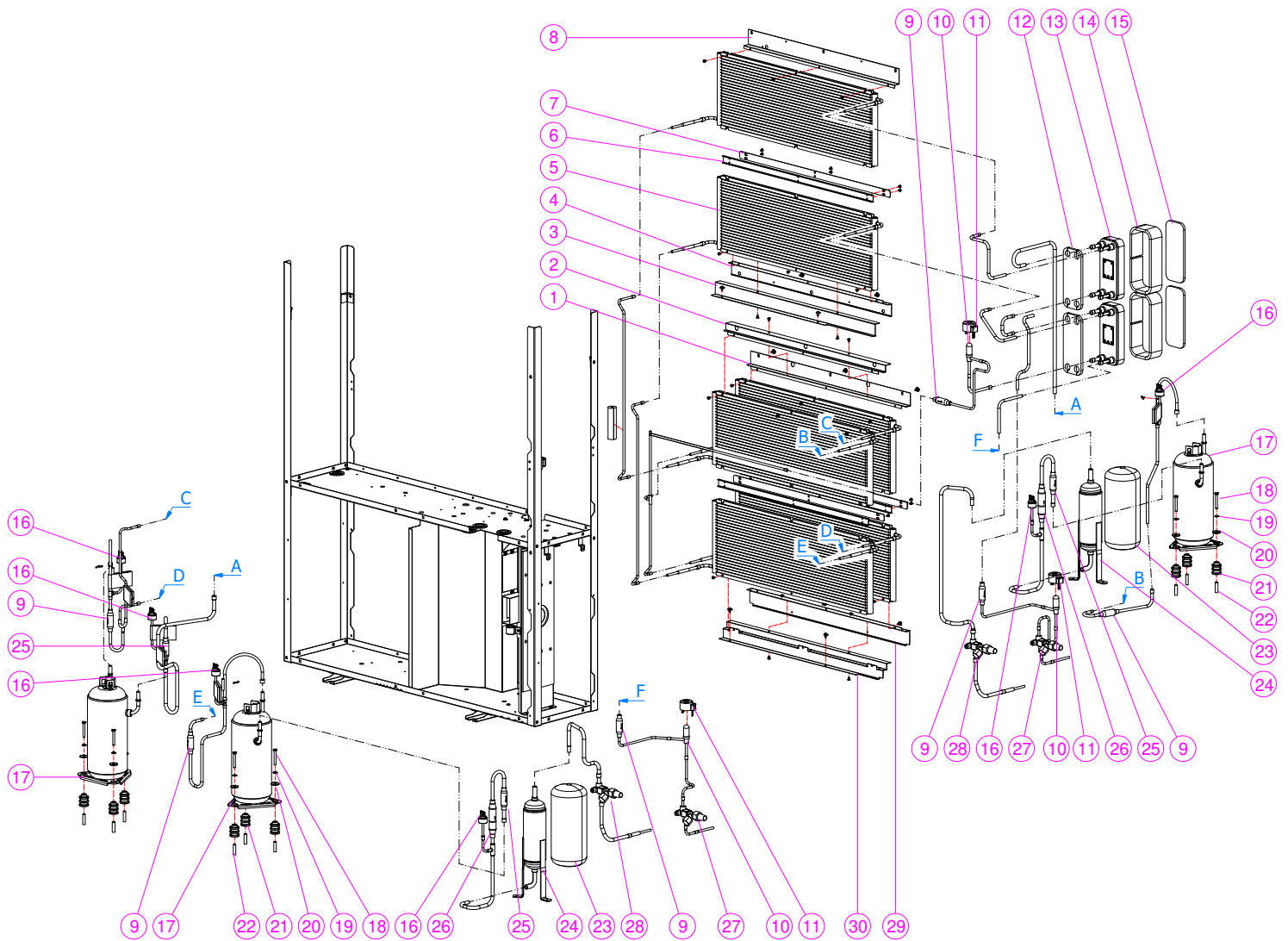
Pos	Code	Description	Serial Number	Nota
1	93501-54220	FAN MOTOR SIC-65FV-F515-2		
2	381240	FLAT WASHER 4X12X1		
3	371110/2	SCREW, TC+ 4MAX16		
4	42815-40280	PROPELLER FAN HP		
5	414577	PCB BASE		
6	V800570	SCREW T1+4,8X9,5 S.POINT		
7	386348	SUPPORT		
8	NFU-4SCR2	PCB NFU-4SCR2		
9	7820001H10	INV LOW STAGE ASSY C90B		
10	386556	TAPETITE SCREW TC+ 4MAX10		
11	6100-3460	SEAL PACKING 55B		
12	8913-0467	SW. HLS208N		
13	24073-Z0030	OPERATION PLT AU		
14	414575	PCB BOX A		
15	91004-43160	CLAMP 10645AA11AS		
16	414572	PCB BOX B		
17	413904/1	FAIRLEAD		
18	FMU-32801	PCS FMU-32801		
19	409847	POWER SWITCHING LRS-75-24		
20	20725-14350	ASSY SCU-8B6MRT5-A SET UP	000000000 ->	
20	4590170H10	ASSY SCU-8B7MRT5-A	->ZZZZZZZZZZ	



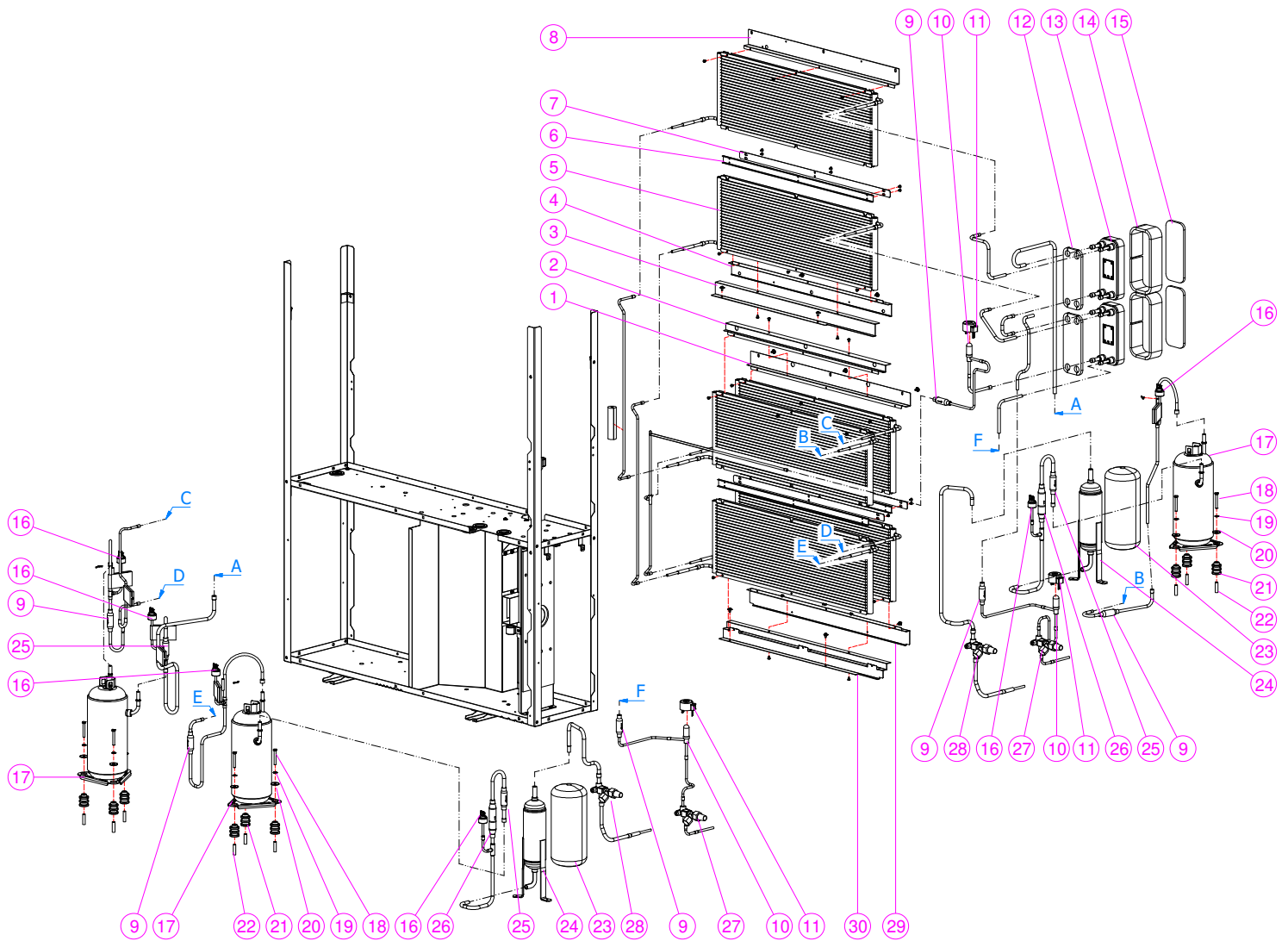
Pos	Code	Description	Serial Number	Nota
21	414704	POWER SW. BKT		
22	381240/1	FLAT WASHER 3X6X1		
23	V801038	LOCK WASHER		
24	371109/6	SCREW, TC+ 3MAx6		
25	IFU-E485TTL1	PCB IFU-E485TTL1		
26	91002-52060	REACTOR AC400V-12A10MMH		
27	NFU-4SCR1	PCB NFU-4SCR1	0000000000 ->	
27	NFU-4SCR3	PCB NFU-4SCR3	->ZZZZZZZZZZ	
28	414830	CAP Ø7		
29	323005	SNAP IN NUT		
30	91604-92150	TERMINAL BLOK		
31	414828	TERMINAL MOUNTING		
32	369816	CLAMP		
33	381954/5	TERMINAL BOARD 2 WAY		
34	381954/1	TERMINAL BOARD 3 WAYS		
35	381954/2	TERMINAL BOARD 4 WAYS		
36	381603/9	SCREW TC+ 2,9X16 WITHOUT TIPS		
37	21604-41890	COMMUNICATION PLT		
38	21604-42090	SIGNAL TERMINAL PLT		
39	90604-82010	TERMINAL BLOCK COVER		
40	381644	BRASS NUT M4		



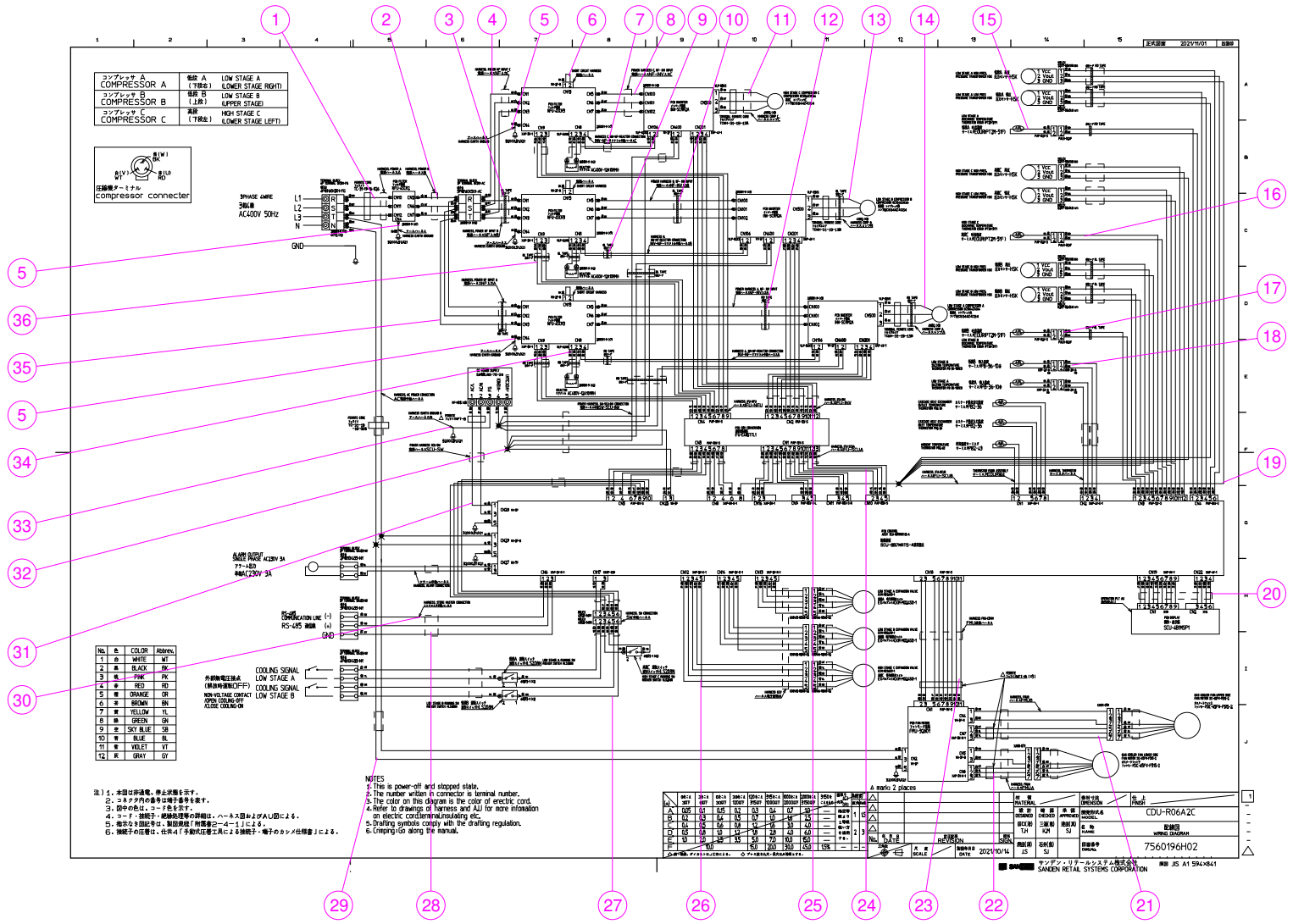
Pos	Code	Description	Serial Number	Nota
41	V801039	WASHER D.E. 4X8		
42	381643	SCREW TE 4MAX16 BRASS		
43	21604-42100	POWER TERMINAL PLT		
44	91604-A2300	TERMINAL BLOK		



Pos	Code	Description	Serial Number	Nota
1	414588	ANGLE BAR LWR A		
2	414649	HEX UPR BKT		
3	414587	ANGLE BAR UPR C		
4	414586	ANGLE BAR UPR B		
5	25202-11610	ASSY AL-HEX		
6	414593	ANGLE BAR BD		
7	414592	HEX BKT		
8	414585	ANGLE BAR UPR A		
9	414752/1	FILTER CO2 19x2-70 FOR Ø8		
10	92605-54060	EEV CPM-B12YCSD-1		
11	92605-62130	EEV COIL CKM-MD24SD-1	0000000000 ->	
11	92605-K2340	EEV COIL CKM-MD24SD-2	->ZZZZZZZZZZ	
12	414738/1	SPONGE RUBBER F191x77x8		
13	25205-Z0090	AU PL-HEX [25205-10050, 403857/9, 414738, 414738/1]		
13	25205-10050	ASSY PL-HEX		
14	403857/9	SPONGE RUBBER 500x47.5x8		
15	414738	SPONGE RUBBER 191x77x8		
16	91406-C2010	PRESSURE TRANSDUCER HSK		
17	91001-72160	COMP. 8CS044ZAC64		
18	371288/4	SCREW TE 6MAX45 5739		
19	371115	WASHER D.E.6X11		



Pos	Code	Description	Serial Number	Nota
20	381228	FLAT WASHER 6x24x2		
21	40580-41910	COMP ANTI-VIBRATION RUBBER		
22	414682	SPACER 6x8x32 INOX		
23	414737	ACCUMULATOR COVER		Included with P/N 25203-Z0820
24	25203-Z0820	ACCUMULATOR		
25	414752	FILTER CO2 19x2-70 FOR Ø10		
26	92605-B2110	CHECK VALVE CAV-10Y3C		
27	92605-C2040	CHARGE VALVE FCV-JY2		
28	92605-C2050	CHARGE VALVE FCV-JY3		
29	414589	ANGLE BAR LWR B		
30	414590	ANGLE BAR LWR C		



Pos	Code	Description	Serial Number	Nota
1	21302-56740	HARNES POWER A		
2	21302-56750	HARNES POWER B		
3	21302-56770	HARNES POWER NF INPUT B		
4	21302-56780	HARNES POWER NF INPUT C		
5	21324-40960	HARNES HEARTH GROUND		
6	21301-50650	SHORT CIRCUIT HARNES		
7	21301-50680	HARNES C INV-NF-REACTOR CONN.		
8	21302-56810	POWER HARNES C NF-INV INPUT		
9	21301-50670	HARNES B INV-NF-REACTOR CONN.		
10	21302-56800	POWER HARNES B NF-INV INPUT		
11	21320-45200	HARNES COMP C		
12	21302-56790	POWER HARNES A NF-INV INPUT		
13	21320-45190	HARNES COMP B		
14	21320-45180	HARNES COMP A		
15	91101-52070	THERMISTOR EOUR		
16	91101-52440	THERMISTOR PB-36-10RD		
17	21308-43760	HARNES THERMISTOR		
18	91101-52060	THERMISTOR EOUR ASSY		
19	21301-50720	HARNES INFU-SCUB	0000000000 ->	
19	4700076H50	HARNES INFU-SCUB	->ZZZZZZZZZZ	
20	24073-Z0030	OPERATION PLT AU		

