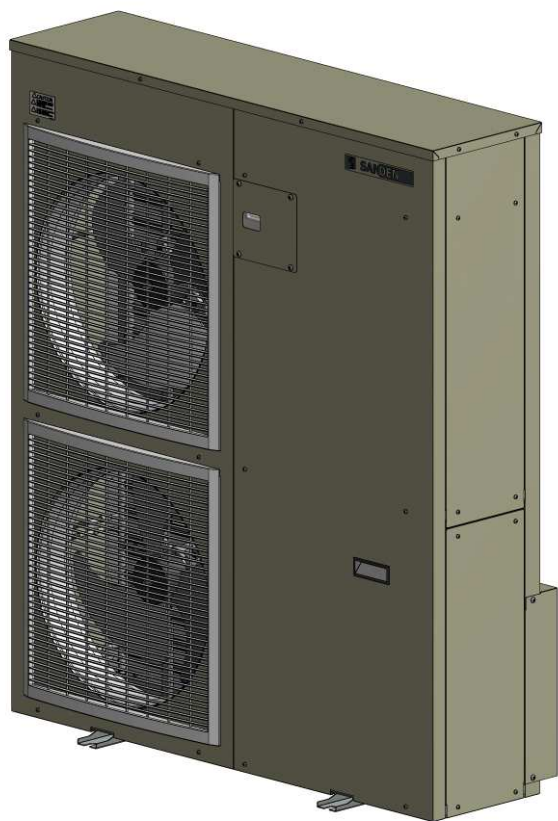




# Spare Parts Catalogue

## CDU-R04A1D

Revision: 000 Date: 15/09/2021



This pdf Manual has been created on the date indicated.  
The latest version (inter-active) is available on web-site [www.sandenvendo.com](http://www.sandenvendo.com) Client Area.  
Thank you



English Version

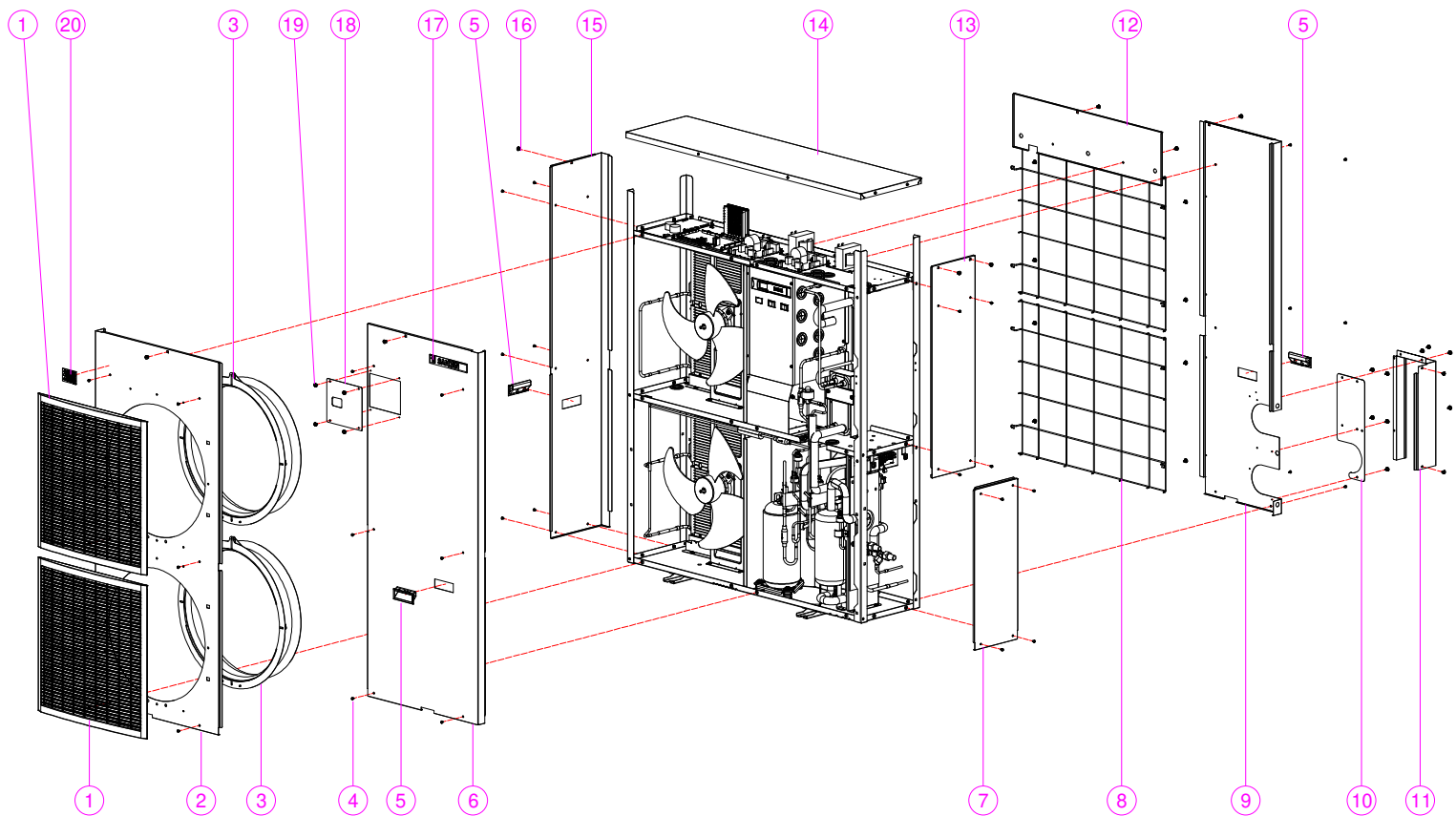


SandenVendo Europe S.p.A. - Regione Cavallino,2 - 15030 Coniolo (AL) - Italy

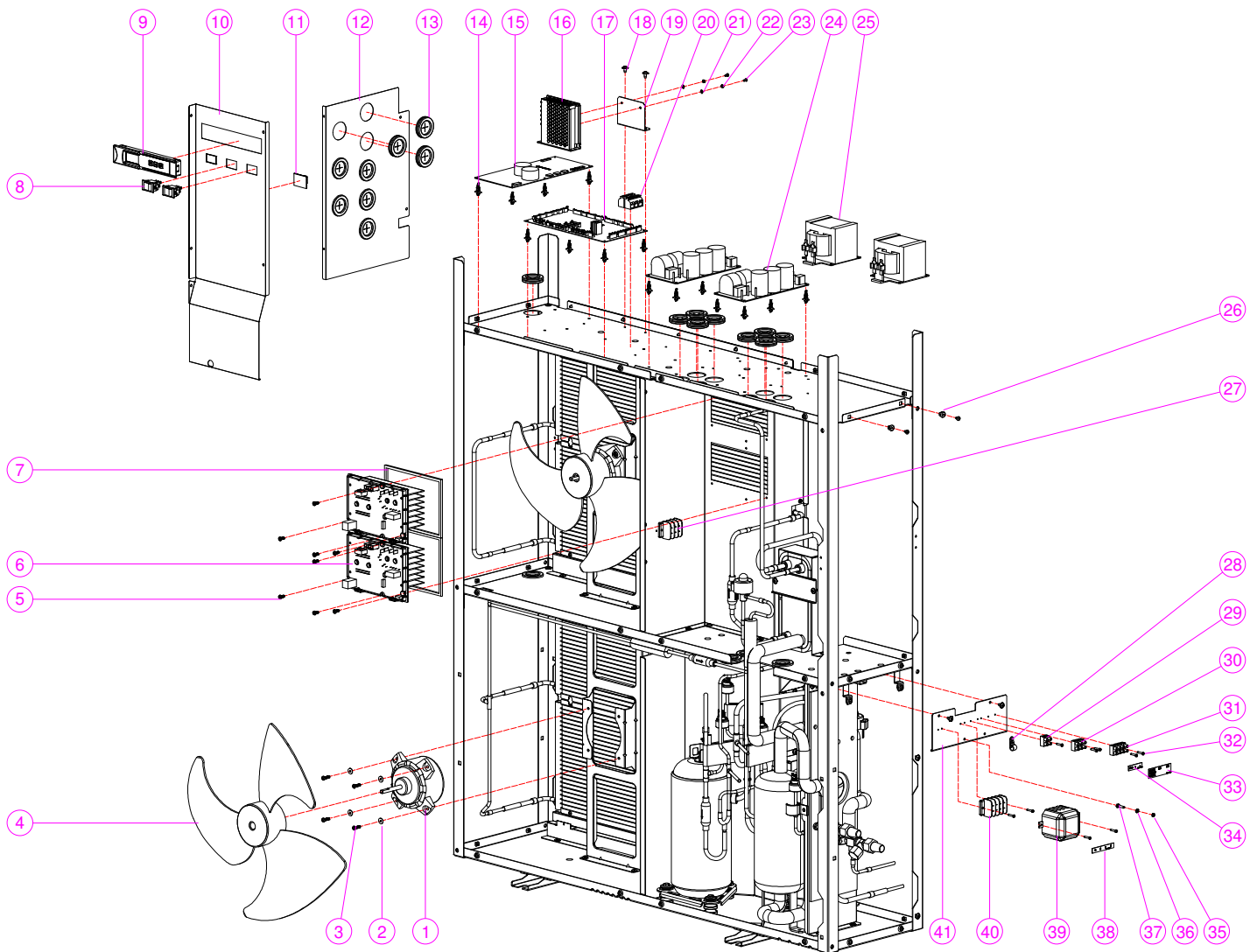
Tel. +39 0142.335119 - Fax +39 0142.562348 - E-mail: [marketing@sandenvendo.it](mailto:marketing@sandenvendo.it) - Web: [www.sandenvendo.com](http://www.sandenvendo.com)

# Index

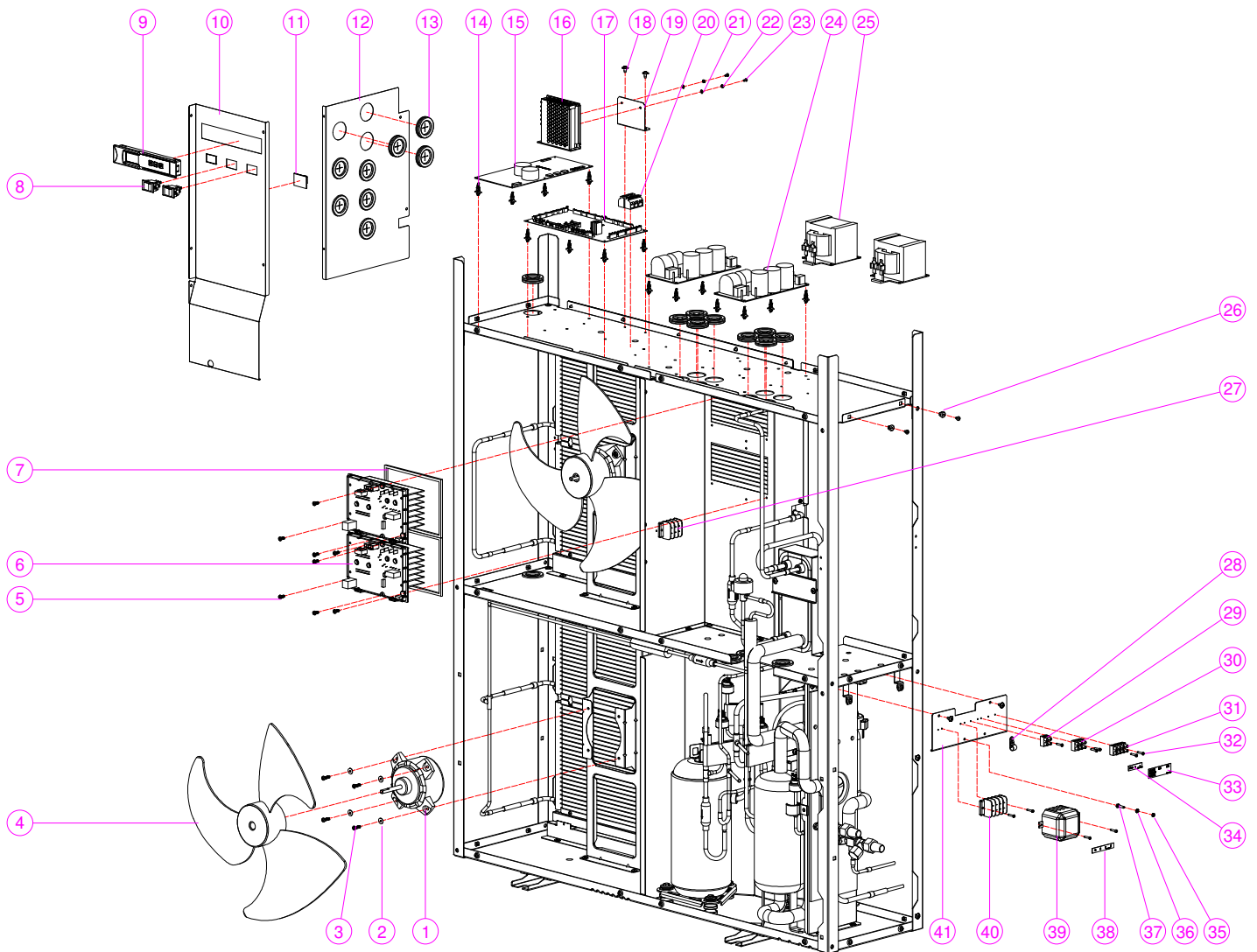
Contents	Page
OUTER BOX PART	2
ELECTRICAL COMPONENTS	3
INSIDE OF STORAGE	6
WIRING DIAGRAM	8



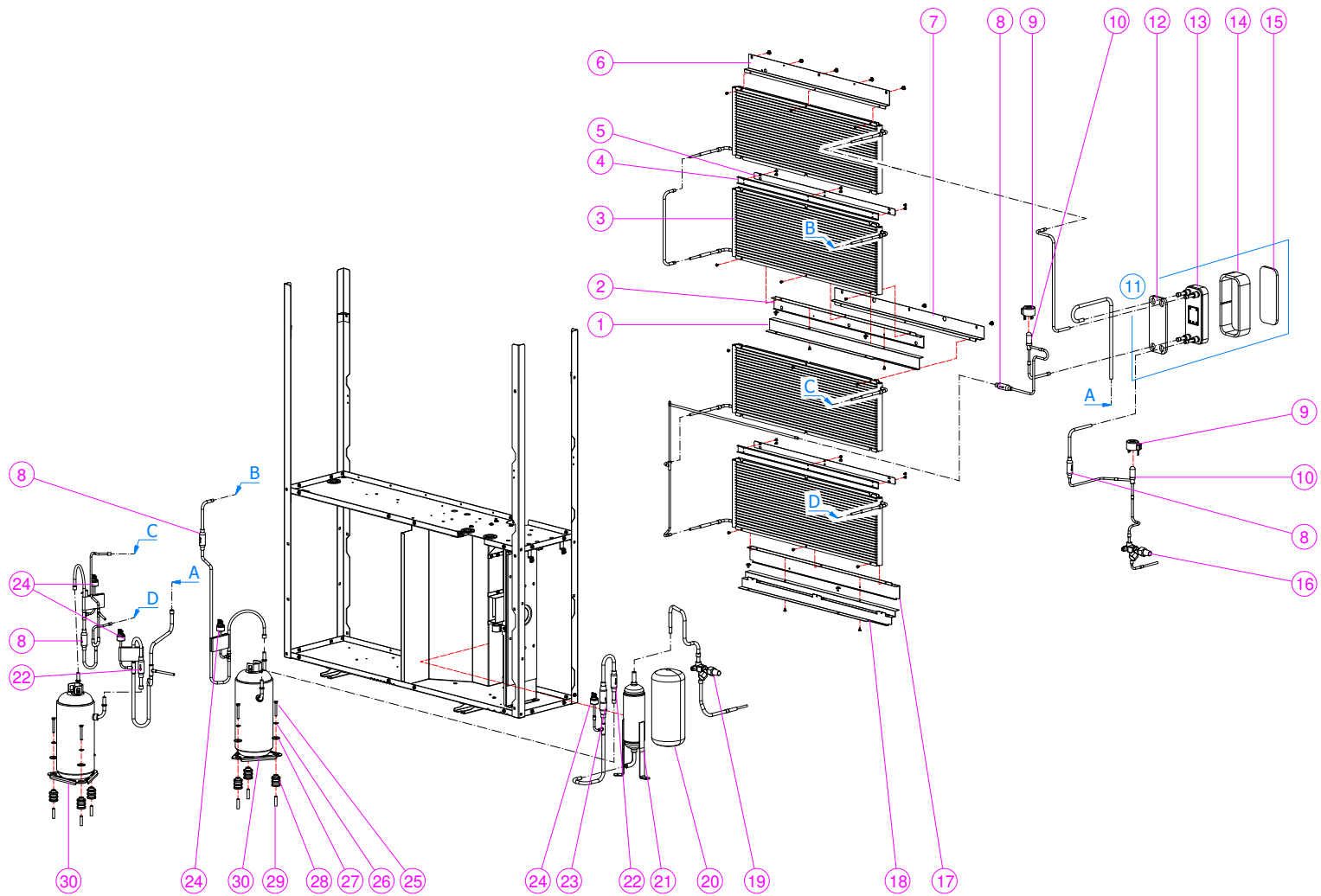
Pos	Code	Description	Serial Number	Nota
1	44004-42851-A	FAN GUARD		
2	414545	PANEL FRONT LEFT		
3	40307-43221-A	SHROUD		
4	V800565	SCREW T1/2T+ 4,2X6,5		
5	411252	HANDLE		
6	414824	FRONT PANEL		
7	414826	PANEL RIGHT LOWER		
8	414595	ASSY WIRE		
9	414578	PANEL REAR RIGHT		
10	414584	PIPE COVER		
11	414582	ELEC. COVER		
12	414546	PANEL REAR UPPER		
13	414825	PANEL RIGHT TOP		
14	414544	TOP PANEL		
15	414547	PANEL LEFT		
16	323005	SNAP IN NUT		
17	40970-43450	LOGO SANDEN		
18	142703	AU OPERATION WINDOW		
19	V800570	SCREW T1+4,8X9,5 S.POINT		
20	21619-40890	PL PLT CS		



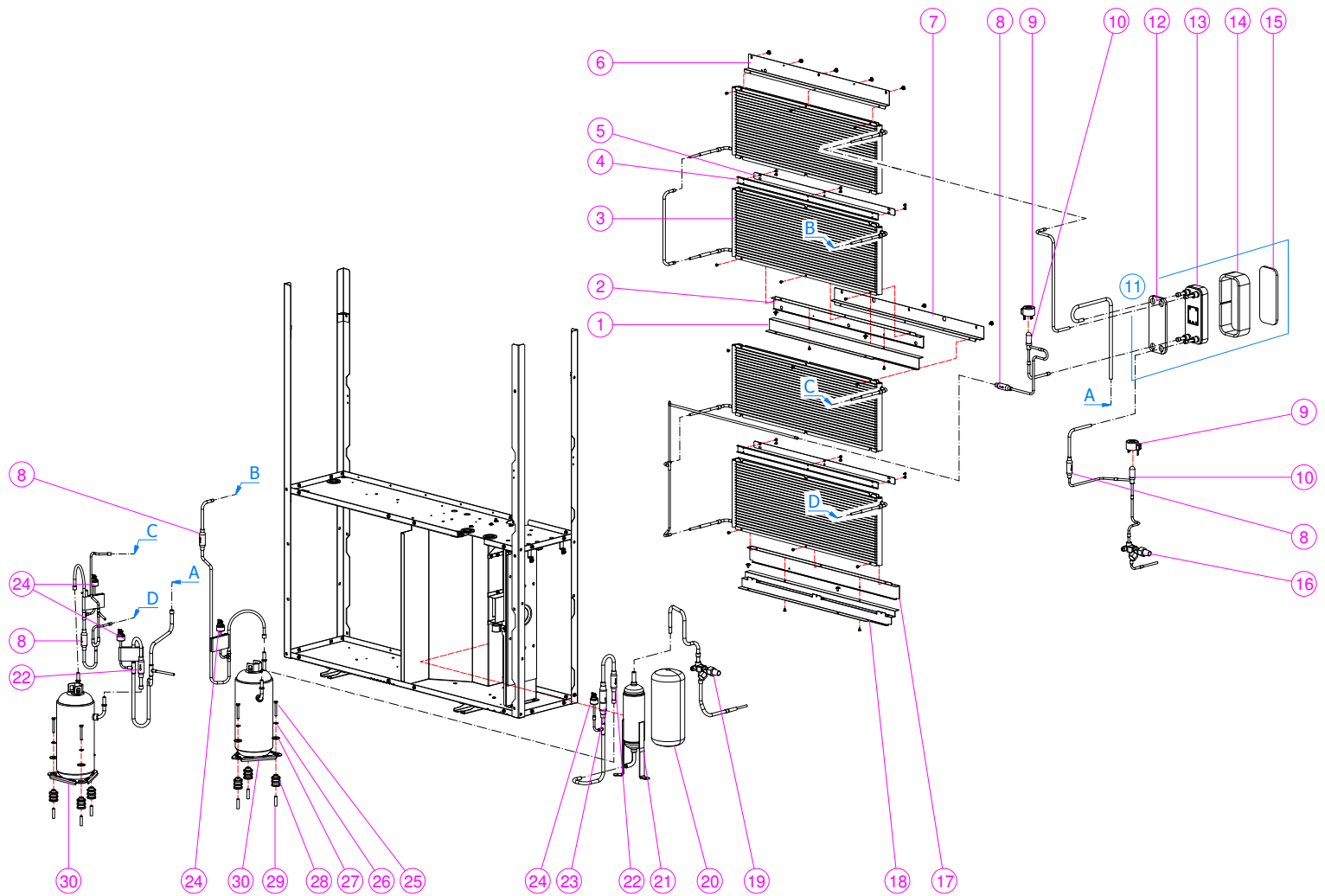
Pos	Code	Description	Serial Number	Nota
1	93501-54220	FAN MOTOR SIC-65FV-F515-2		
2	381240	FLAT WASHER 4X12X1		
3	371110/2	SCREW, TC+ 4MAX16		
4	42815-40280	PROPELLER FAN HP		
5	386556	TAPETITE SCREW TC+ 4MAX10		
6	INV-SCRM2A	PCB INV-SCRM2A		
7	6100-3460	SEAL PACKING 55B		
8	8913-0467	SW. HLS208N		
9	24073-Z0030	OPERATION PLT AU		
10	414575	PCB BOX A		
11	91004-43160	CLAMP 10645AA11AS		
12	414572	PCB BOX B		
13	413904/1	FAIRLEAD		
14	386348	SUPPORT		
15	FMU-32801	PCS FMU-32801		
16	409847	POWER SWITCHING LRS-75-24		
17	4590170H10	ASSY SCU-8B7MRT5-A		
18	V800570	SCREW T1+4,8X9,5 S.POINT		
19	414704	POWER SW. BKT		
20	412898	TERMINAL BOARD		
21	381240/1	FLAT WASHER 3X6X1		



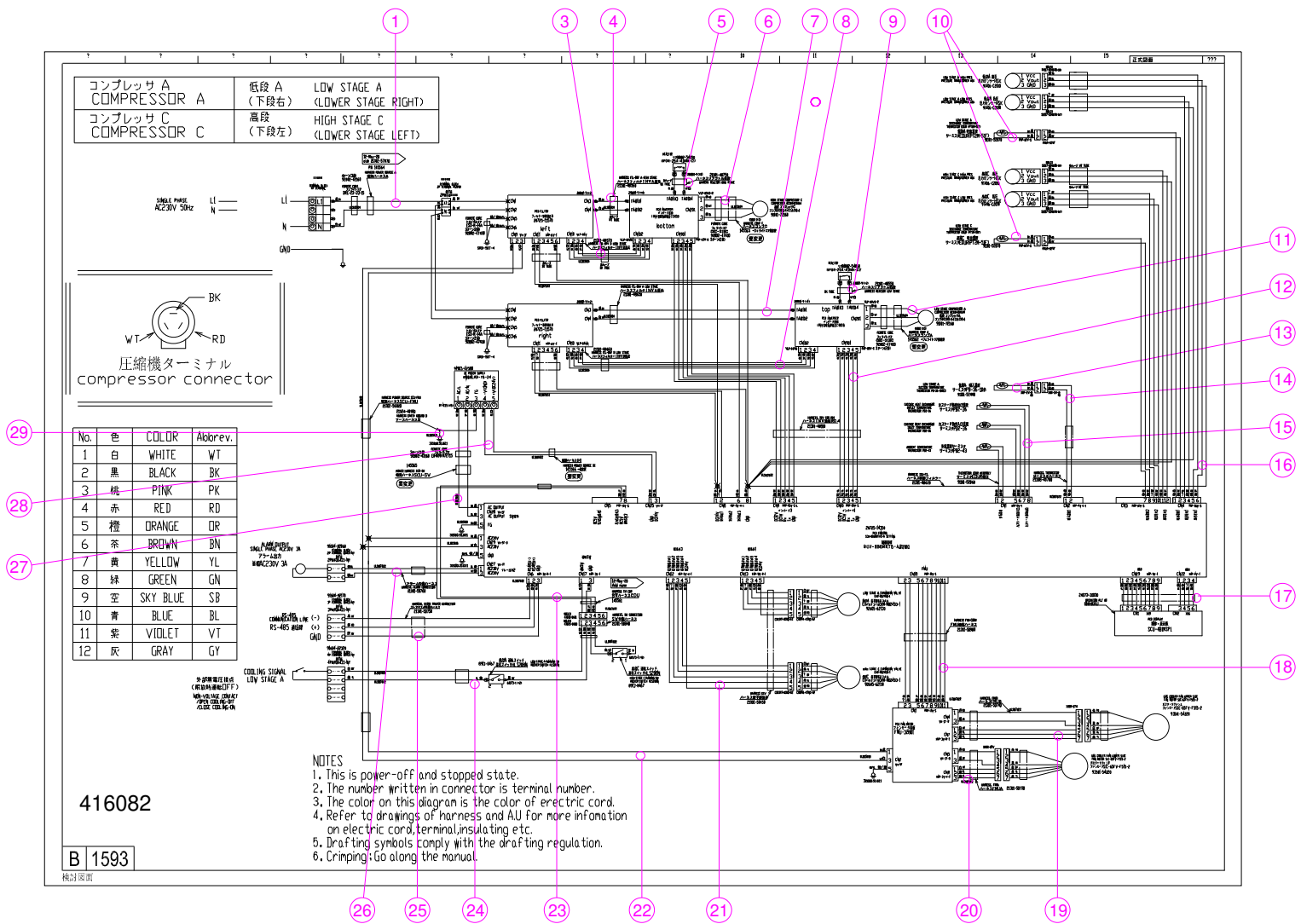
Pos	Code	Description	Serial Number	Nota
22	V801038	LOCK WASHER		
23	3711109/6	SCREW, TC+ 3MAx6		
24	20725-13570	PCB FILTER ASSY B		
25	91002-54050	SIGNAL TERMINAL PLT		
26	323005	SNAP IN NUT		
27	91604-92150	TERMINAL BLOK 3P OK501-FG		
28	369816	CLAMP		
29	381954/5	TERMINAL BOARD 2 WAY		
30	381954/1	TERMINAL BOARD 3 WAYS		
31	381954/2	TERMINAL BOARD 4 WAYS		
32	381603/9	SCREW TC+ 2,9X16 WITHOUT TIPS		
33	21604-41890	COMMUNICATION PLT		
34	21604-42090	SIGNAL TERMINAL PLT		
35	381644	BRASS NUT M4		
36	V801039	WASHER D.E. 4X8		
37	381643	SCREW TE 4MAx16 BRASS		
38	21604-42100	POWER TERMINAL PLT		
39	90604-82010	TERMINAL BLOCK COVER OK500-4P		
40	91604-A2300	TERMINAL BLOK 4P OK501-FH		
41	414828	TERMINAL MOUNTING		



Pos	Code	Description	Serial Number	Nota
1	414587	ANGLE BAR UPR C		
2	414586	ANGLE BAR UPR B		
3	25202-11610	ASSY AL-HEX		
4	414593	ANGLE BAR BD		
5	414592	HEX BKT		
6	414585	ANGLE BAR UPR A		
7	414588	ANGLE BAR LWR A		
8	414752/1	FILTER CO2 19x2-70 FOR Ø8		
9	92605-62130	EEV COIL CKM-MD24SD-1	0 - 2917006908	
9	92605-K2340	EEV COIL CKM-MD24SD-2	2917006909 - Z	
10	92605-54060	EEV CPM-B12YCSD-1		
11	25205-Z0090	AU PL-HEX [25205-10050, 403857/9, 414738, 414738/1]		
12	414738/1	SPONGE RUBBER F191x77x8		
13	25205-10050	ASSY PL-HEX		
14	403857/9	SPONGE RUBBER 500x47.5x8		
15	414738	SPONGE RUBBER 191x77x8		
16	92605-C2040	CHARGE VALVE FCV-JY2		
17	414589	ANGLE BAR LWR B		
18	414590	ANGLE BAR LWR C		
19	92605-C2050	CHARGE VALVE FCV-JY3		
20	414737	ACCUMULATOR COVER		

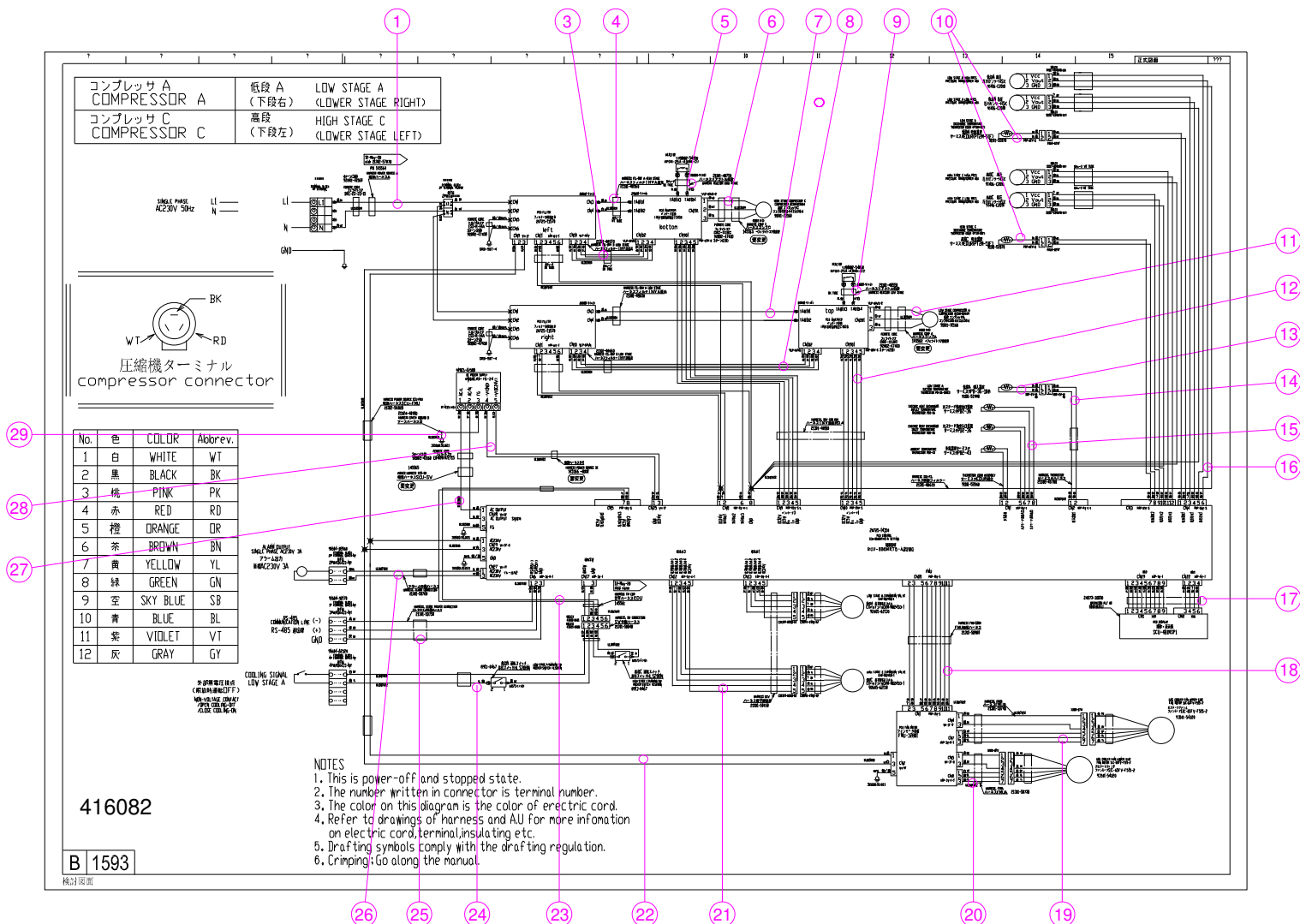


Pos	Code	Description	Serial Number	Nota
21	43103-40020	ACCUMULATOR ACM-M00070-507		
22	414752	FILTER CO2 19x2-70 FOR Ø10		
23	92605-B2110	CHECK VALVE CAV-10Y3C		
24	91406-C2010	PRESSURE TRANSDUCER HSK		
25	371288/4	SCREW TE 6MAX45 5739		
26	371115	WASHER D.E.6X11		
27	381228	FLAT WASHER 6x24x2		
28	40580-41910	COMP ANTI-VIBRATION RUBBER		
29	414682	SPACER 6x8x32 INOX		
30	91001-72160	COMP. 8CS044ZAC64		



Pos	Code	Description	Serial Number	Nota
1	145564	HARNES POWER SOURCE A		
3	21301-48570	HARNES FIL-INV B HIGH STAGE		
4	21301-48560	HARNES FIL-INV A HIGH STAGE		
5	21301-48750	HARNES REACTOR HIGH STAGE		
6	145563	HARNES COMP. C [21320-45210]		
7	21301-48650	HARNES FIL-INV A LOW STAGE		
8	21301-48660	HARNES FIL-INV B LOW STAGE		
9	21301-48550	HARNES REACTOR LOW STAGE		
10	91101-52070	THERMISTOR EOUR		
11	145562	HARNES COMP. A [21320-45180]		
12	21301-48810	HARNES, INV COM R04		
13	91101-52440	THERMISTOR PB-36-10RD		
14	21308-43780	HARNES THERMISTOR		
15	91101-52060	THERMISTOR EOUR ASSY		
16	145560	HARNES SCU-FIL [21301-50830]		
17	24073-Z0030	OPERATION PLT AU		
18	21301-50980	HARNES FMU-COMM	0000000000 ->	
18	4660181H50	HARNES FMU-COMM	->ZZZZZZZZZZ	
19	21301-50740	HARNES FMUB	0000000000 ->	
19	4650168H50	HARNES FMUB	->ZZZZZZZZZZ	
20	21301-50730	HARNES FMUA	0000000000 ->	





Pos	Code	Description	Serial Number	Nota
20	4650167H50	HARNESS FMUA	->ZZZZZZZZZZ	
21	21301-50450	HARNESS VALVE		
22	21301-48700	HARNESS POWER SOURCE SCU-FMU		
23	145561	HARNESS SW. CDU [21301-48740]		
24	21301-50840	HARNESS SW CONNECTION		
25	21301-50750	HARNESS STORE MASTER CONNECTION		
26	21301-50760	HARNESS ALARM CONNECTION		
27	145565	HARNESS POWER SCU-SW		
28	145566	HARNESS POWER SOURCE DC		
29	21324-40980	HARNESS HEARTH GROUND B		
30	416082	WIRING DIAGRAM CDU-D4M		