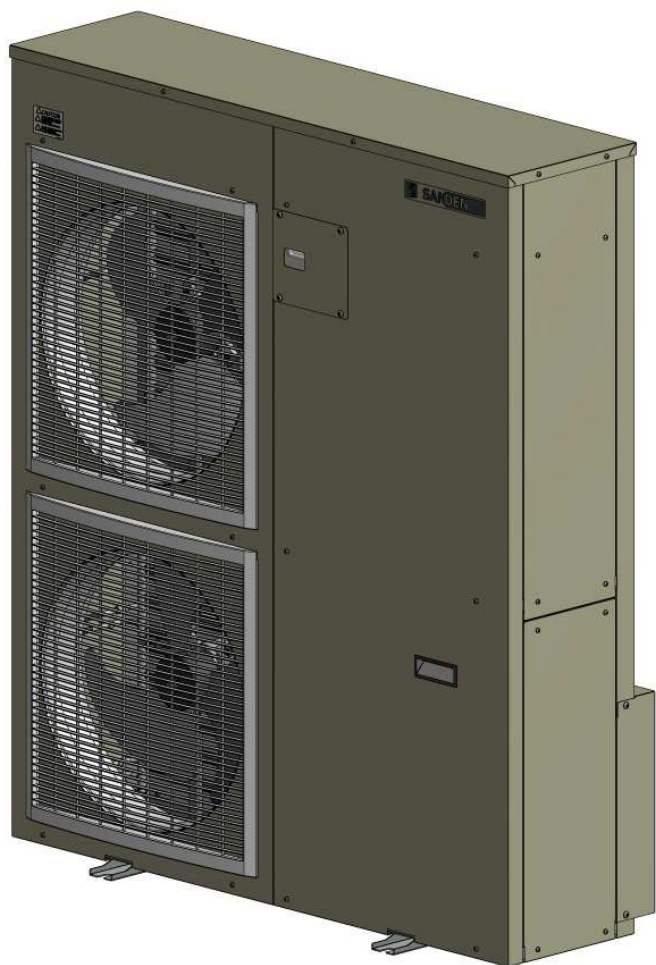




Spare Parts Catalogue

CDU-R04A1C

Revision: 001 Date: 13/02/2023



This pdf Manual has been created on the date indicated.
The latest version (inter-active) is available on web-site www.sandenvendo.com Client Area.
Thank you



English Version

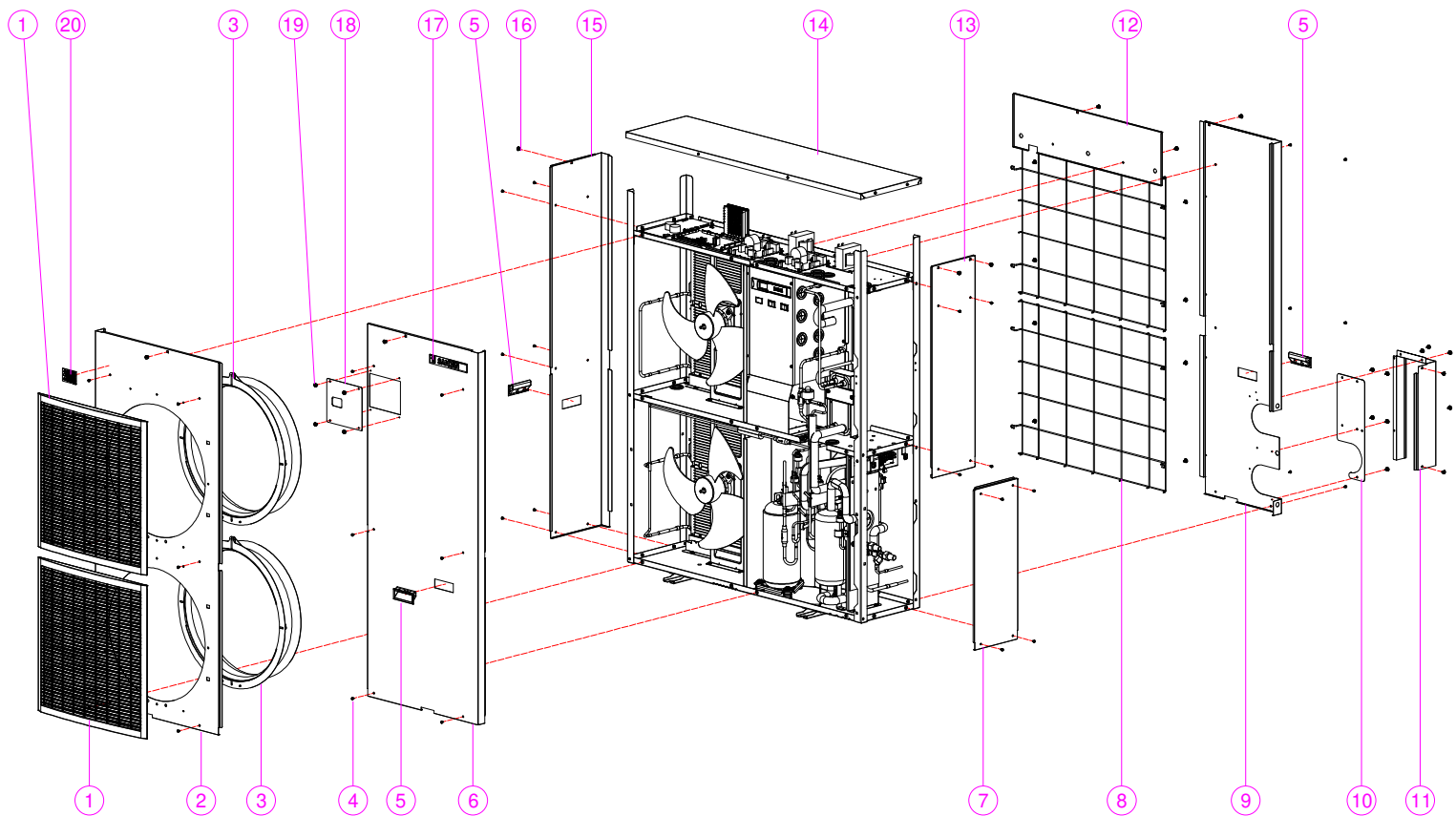


SandenVendo Europe S.p.A. - Regione Cavallino,2 - 15030 Coniolo (AL) - Italy

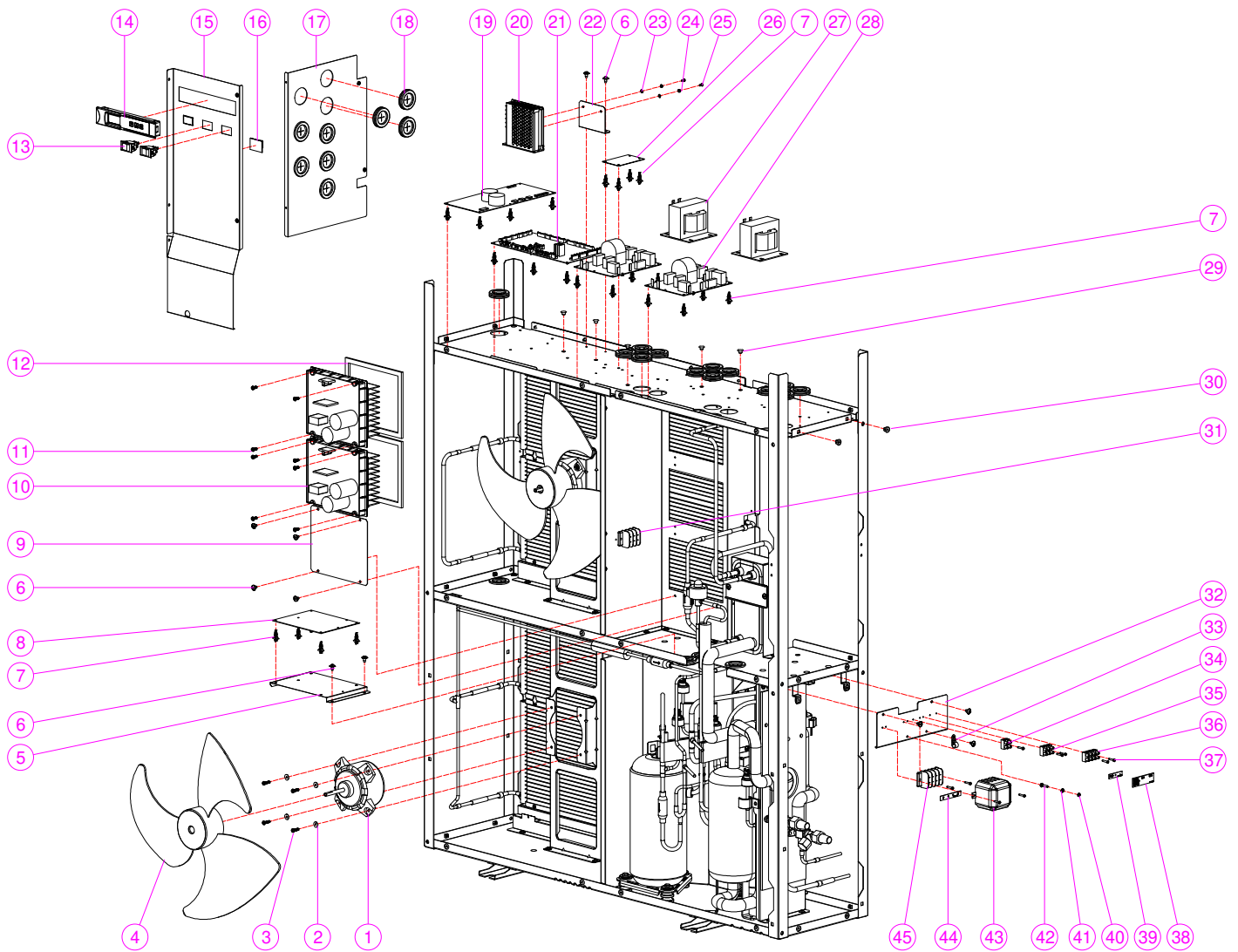
Tel. +39 0142.335119 - Fax +39 0142.562348 - E-mail: marketing@sandenvendo.it - Web: www.sandenvendo.com

Index

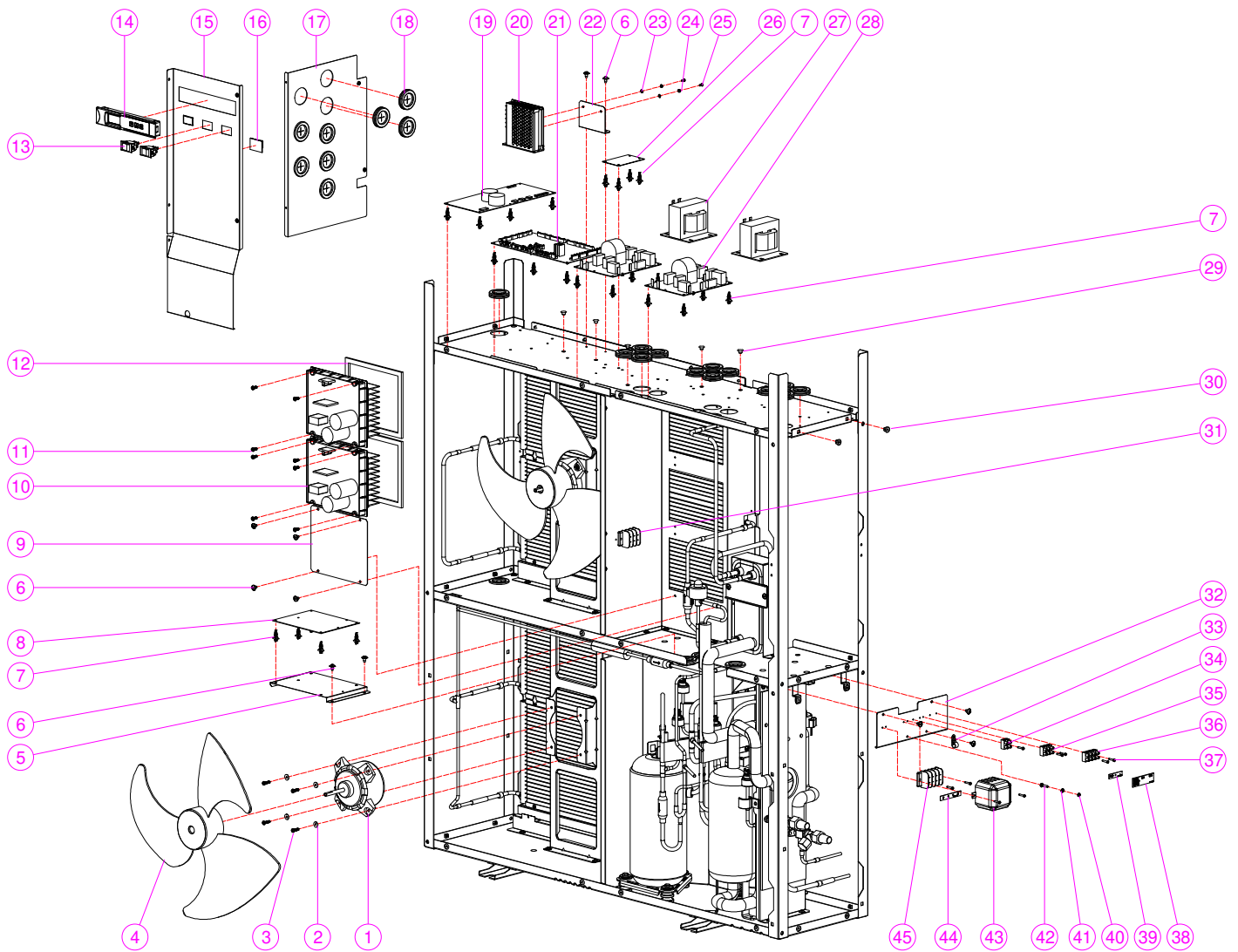
Contents	Page
OUTER BOX PART	2
ELECTRICAL COMPONENTS	3
INSIDE OF STORAGE	6
WIRING DIAGRAM	8



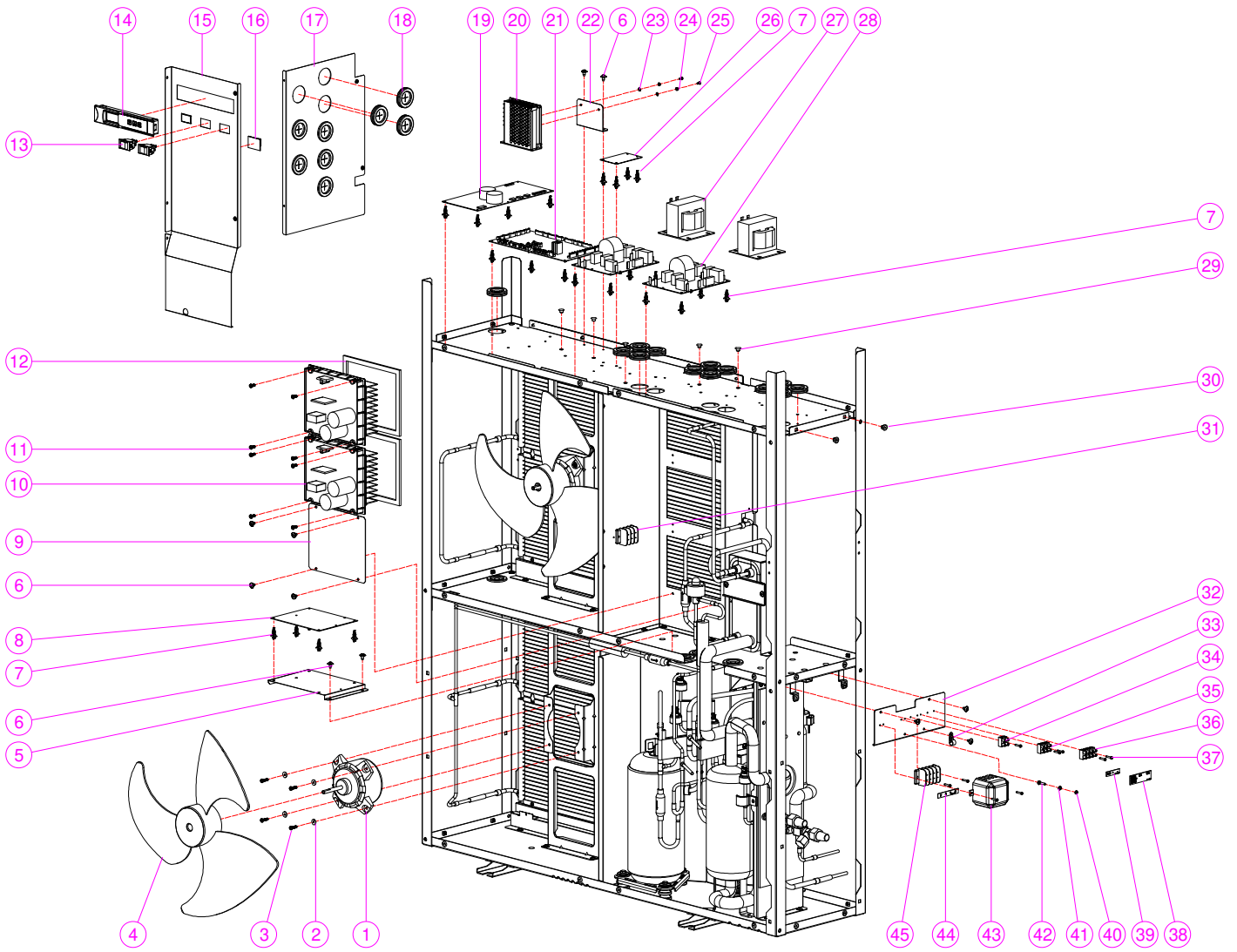
Pos	Code	Description	Serial Number	Nota
1	44004-42851-A	FAN GUARD		
2	414545	PANEL FRONT LEFT		
3	40307-43221-A	SHROUD		
4	V800565	SCREW T1/2T+ 4,2X6,5		
5	411252	HANDLE		
6	414824	FRONT PANEL		
7	414826	PANEL RIGHT LOWER		
8	414595	ASSY WIRE		
9	414578	PANEL REAR RIGHT		
10	414584	PIPE COVER		
11	414582	ELEC. COVER		
12	414546	PANEL REAR UPPER		
13	414825	PANEL RIGHT TOP		
14	414544	TOP PANEL		
15	414547	PANEL LEFT		
16	323005	SNAP IN NUT		
17	40970-43450	LOGO SANDEN		
18	142703	AU OPERATION WINDOW		
19	V800570	SCREW T1+4,8X9,5 S.POINT		
20	21619-40890	PL PLT CS		



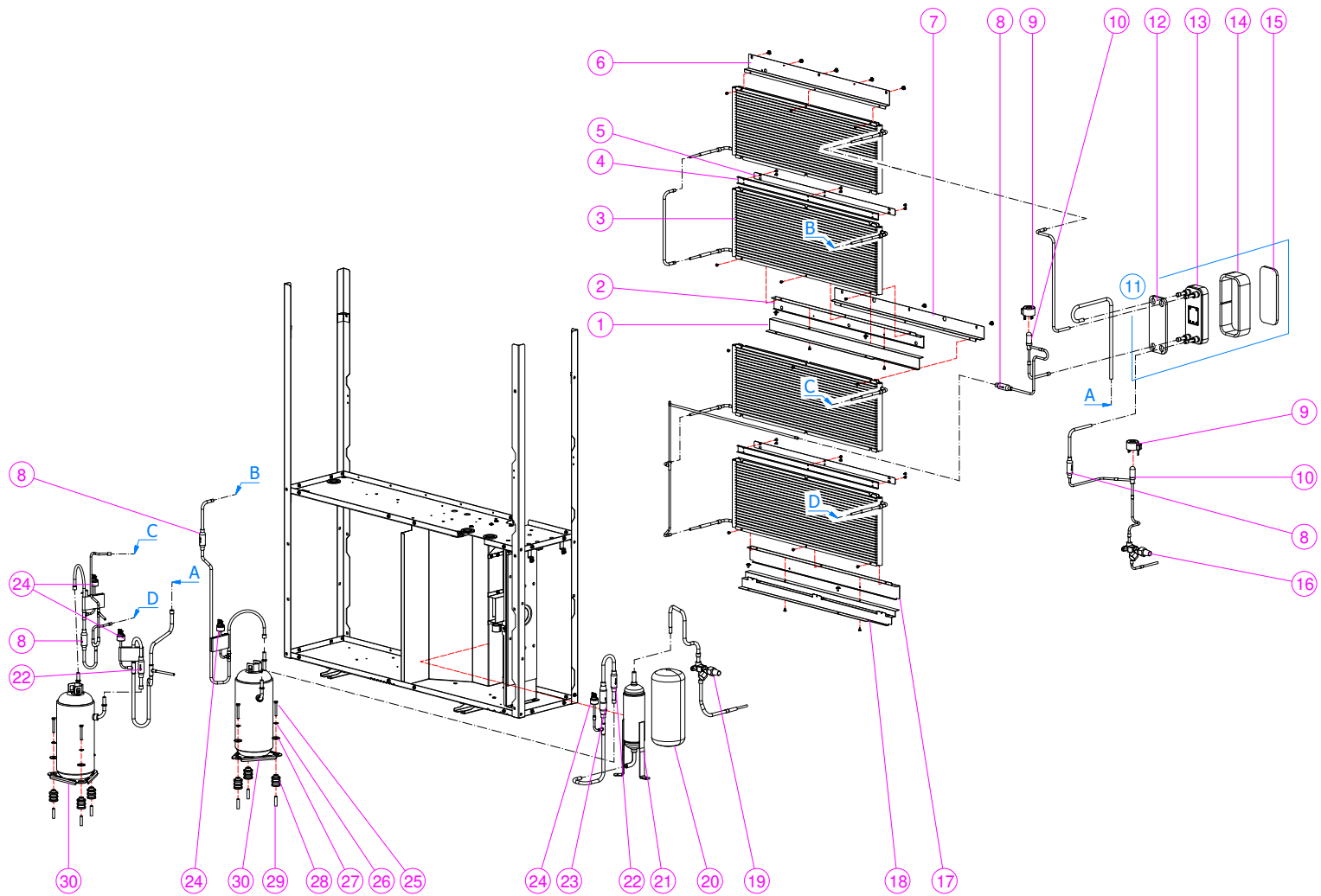
Pos	Code	Description	Serial Number	Nota
1	93501-54220	FAN MOTOR SIC-65FV-F515-2		
2	381240	FLAT WASHER 4X12X1		
3	371110/2	SCREW, TC+ 4MAX16		
4	42815-40280	PROPELLER FAN HP		
5	414577	PCB BASE		
6	V800570	SCREW T1+4,8X9,5 S.POINT		
7	386348	SUPPORT		
8	NFU-4SCR2	PCB NFU-4SCR2		
9	414576	HOLE COVER		
10	7820001H10	INV LOW STAGE ASSY C90B		
11	386556	TAPETITE SCREW TC+ 4MAX10		
12	6100-3460	SEAL PACKING 55B		
13	8913-0467	SW. HLS208N		
14	24073-Z0030	OPERATION PLT AU		
15	414575	PCB BOX A		
16	91004-43160	CLAMP 10645AA11AS		
17	414572	PCB BOX B		
18	413904/1	FAIRLEAD		
19	FMU-32801	PCS FMU-32801		
20	409847	POWER SWITCHING LRS-75-24		
21	20725-14350	ASSY SCU-8B6MRT5-A SET UP	0000000000 ->	



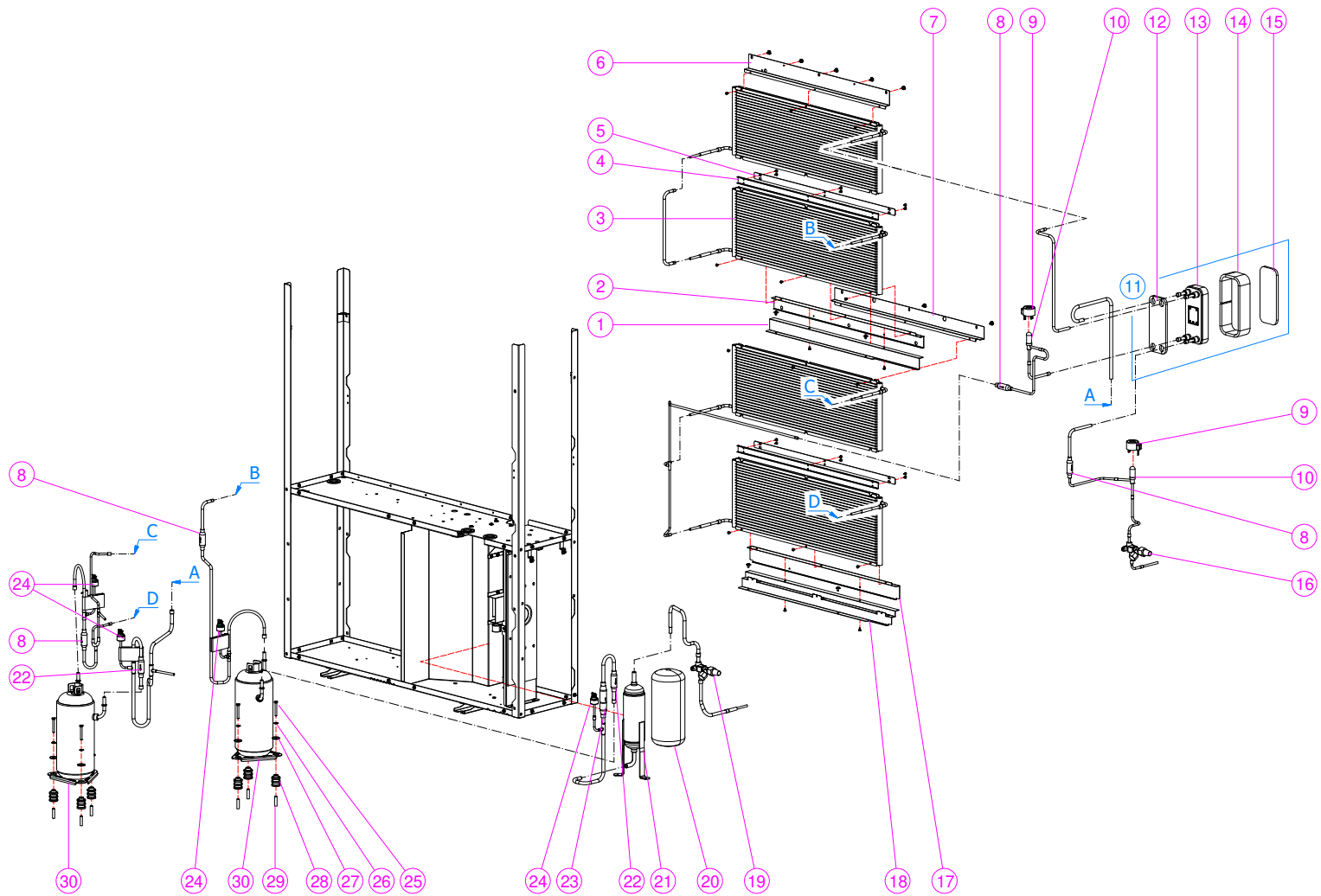
Pos	Code	Description	Serial Number	Nota
21	4590170H10	ASSY SCU-8B7MRT5-A	->ZZZZZZZZZZ	
22	414704	POWER SW. BKT		
23	381240/1	FLAT WASHER 3X6X1		
24	V801038	LOCK WASHER		
25	371109/6	SCREW, TC+ 3MAx6		
26	IFU-E485TTL1	PCB IFU-E485TTL1		
27	91002-52060	REACTOR AC400V-12A10MMH		
28	NFU-4SCR1	PCB NFU-4SCR1	0000000000 ->	
28	NFU-4SCR3	PCB NFU-4SCR3	->ZZZZZZZZZZ	
29	414830	CAP Ø7		
30	323005	SNAP IN NUT		
31	91604-92150	TERMINAL BLOK		
32	414828	TERMINAL MOUNTING		
33	369816	CLAMP		
34	381954/5	TERMINAL BOARD 2 WAY		
35	381954/1	TERMINAL BOARD 3 WAYS		
36	381954/2	TERMINAL BOARD 4 WAYS		
37	381603/9	SCREW TC+ 2,9X16 WITHOUT TIPS		
38	21604-41890	COMMUNICATION PLT		
39	21604-42090	SIGNAL TERMINAL PLT		
40	381644	BRASS NUT M4		



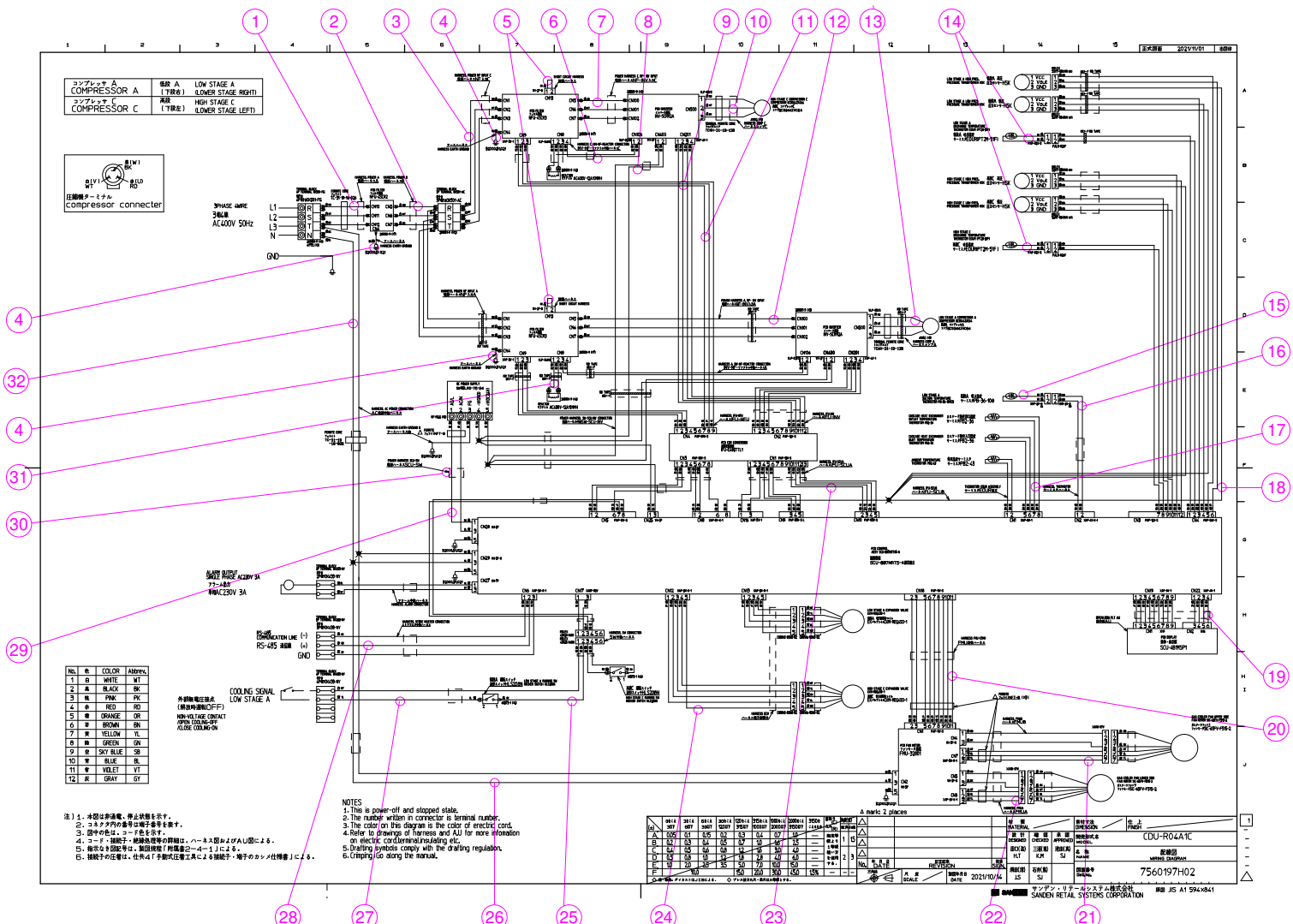
Pos	Code	Description	Serial Number	Nota
41	V801039	WASHER D.E. 4X8		
42	381643	SCREW TE 4MAx16 BRASS		
43	90604-82010	TERMINAL BLOCK COVER		
44	21604-42100	POWER TERMINAL PLT		
45	91604-A2300	TERMINAL BLOK		



Pos	Code	Description	Serial Number	Nota
1	414587	ANGLE BAR UPR C		
2	414586	ANGLE BAR UPR B		
3	25202-11610	ASSY AL-HEX		
4	414593	ANGLE BAR BD		
5	414592	HEX BKT		
6	414585	ANGLE BAR UPR A		
7	414588	ANGLE BAR LWR A		
8	414752/1	FILTER CO2 19x2-70 FOR Ø8		
9	92605-62130	EEV COIL CKM-MD24SD-1	0 - 2917006908	
9	92605-K2340	EEV COIL CKM-MD24SD-2	2917006909 - Z	
10	92605-54060	EEV CPM-B12YCSD-1		
11	25205-Z0090	AU PL-HEX [25205-10050, 403857/9, 414738, 414738/1]		
12	414738/1	SPONGE RUBBER F191x77x8		
13	25205-10050	ASSY PL-HEX		
14	403857/9	SPONGE RUBBER 500x47.5x8		
15	414738	SPONGE RUBBER 191x77x8		
16	92605-C2040	CHARGE VALVE FCV-JY2		
17	414589	ANGLE BAR LWR B		
18	414590	ANGLE BAR LWR C		
19	92605-C2050	CHARGE VALVE FCV-JY3		
20	414737	ACCUMULATOR COVER		



Pos	Code	Description	Serial Number	Nota
21	43103-40020	ACCUMULATOR ACM-M00070-507		
22	414752	FILTER CO2 19x2-70 FOR Ø10		
23	92605-B2110	CHECK VALVE CAV-10Y3C		
24	91406-C2010	PRESSURE TRANSDUCER HSK		
25	371288/4	SCREW TE 6MAX45 5739		
26	371115	WASHER D.E.6X11		
27	381228	FLAT WASHER 6x24x2		
28	40580-41910	COMP ANTI-VIBRATION RUBBER		
29	414682	SPACER 6x8x32 INOX		
30	91001-72160	COMP. 8CS044ZAC64		



Pos	Code	Description	Serial Number	Nota
20	4660181H50	HARNESS FMU-COMM	->ZZZZZZZZZZ	
21	21301-50740	HARNESS FMUB	0000000000 ->	
21	4650168H50	HARNESS FMUB	->ZZZZZZZZZZ	
22	21301-50730	HARNESS FMUA	0000000000 ->	
22	4650167H50	HARNESS FMUA	->ZZZZZZZZZZ	
23	21301-50820	HARNESS IFU-SCUA		
24	21301-50450	HARNESS VALVE		
25	21301-50840	HARNESS SW CONNECTION		
26	21302-56820	HARNESS AC POWER CONNECTION		
27	21301-50750	HARNESS STORE MASTER CONNECTION		
28	21301-50760	HARNESS ALARM CONNECTION		
29	21302-56830	POWER HARNESS SCU-SW	0000000000 ->	
29	4670236H50	POWER HARNESS SCU-SW	->ZZZZZZZZZZ	
30	21324-40980	HARNESS HEARTH GROUND B		
31	21301-50780	HARNESS A INV-NF-REACTOR CONN.		
32	21302-56900	HARNESS POWER NF INPUT A		
33	7560197H02	WIRING DIAGRAM	->ZZZZZZZZZZ	