



# Spare Parts Catalogue

## CDU-R02A1D

Revision: 000 Date: 15/09/2021



This pdf Manual has been created on the date indicated.  
The latest version (inter-active) is available on web-site [www.sandenvendo.com](http://www.sandenvendo.com) Client Area.  
Thank you



English Version

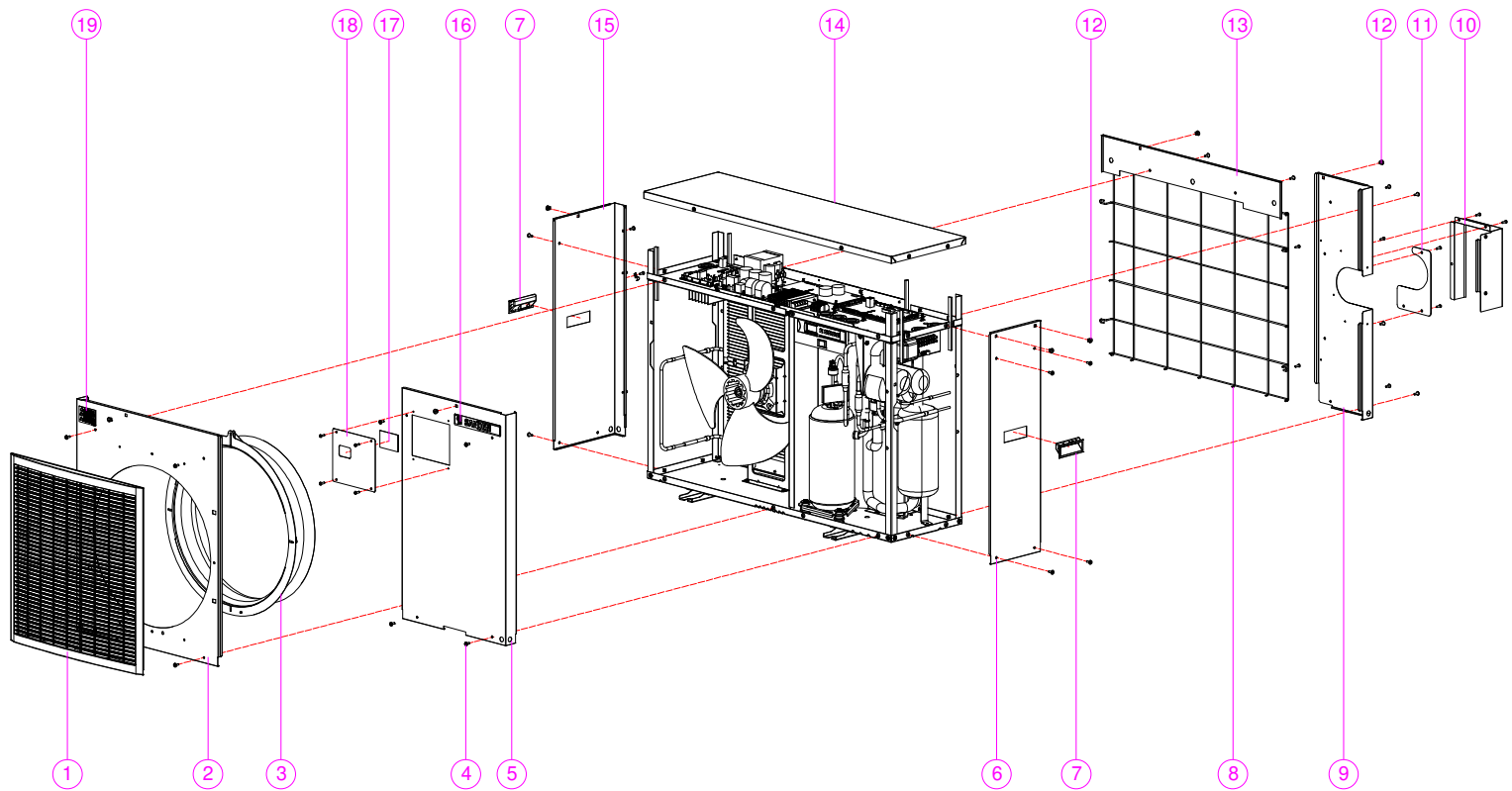


SandenVendo Europe S.p.A. - Regione Cavallino,2 - 15030 Coniolo (AL) - Italy

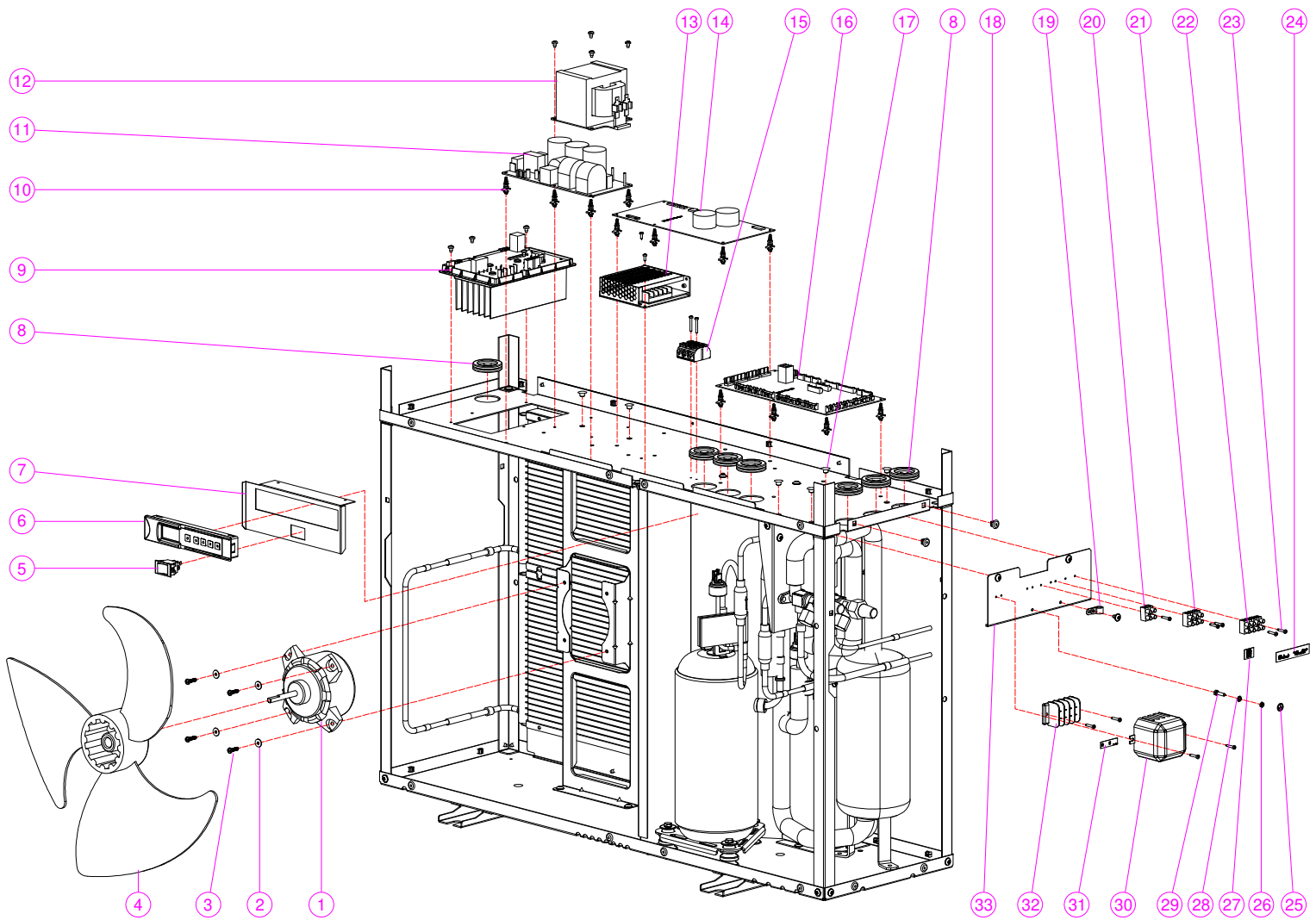
Tel. +39 0142.335119 - Fax +39 0142.562348 - E-mail: [marketing@sandenvendo.it](mailto:marketing@sandenvendo.it) - Web: [www.sandenvendo.com](http://www.sandenvendo.com)

# Index

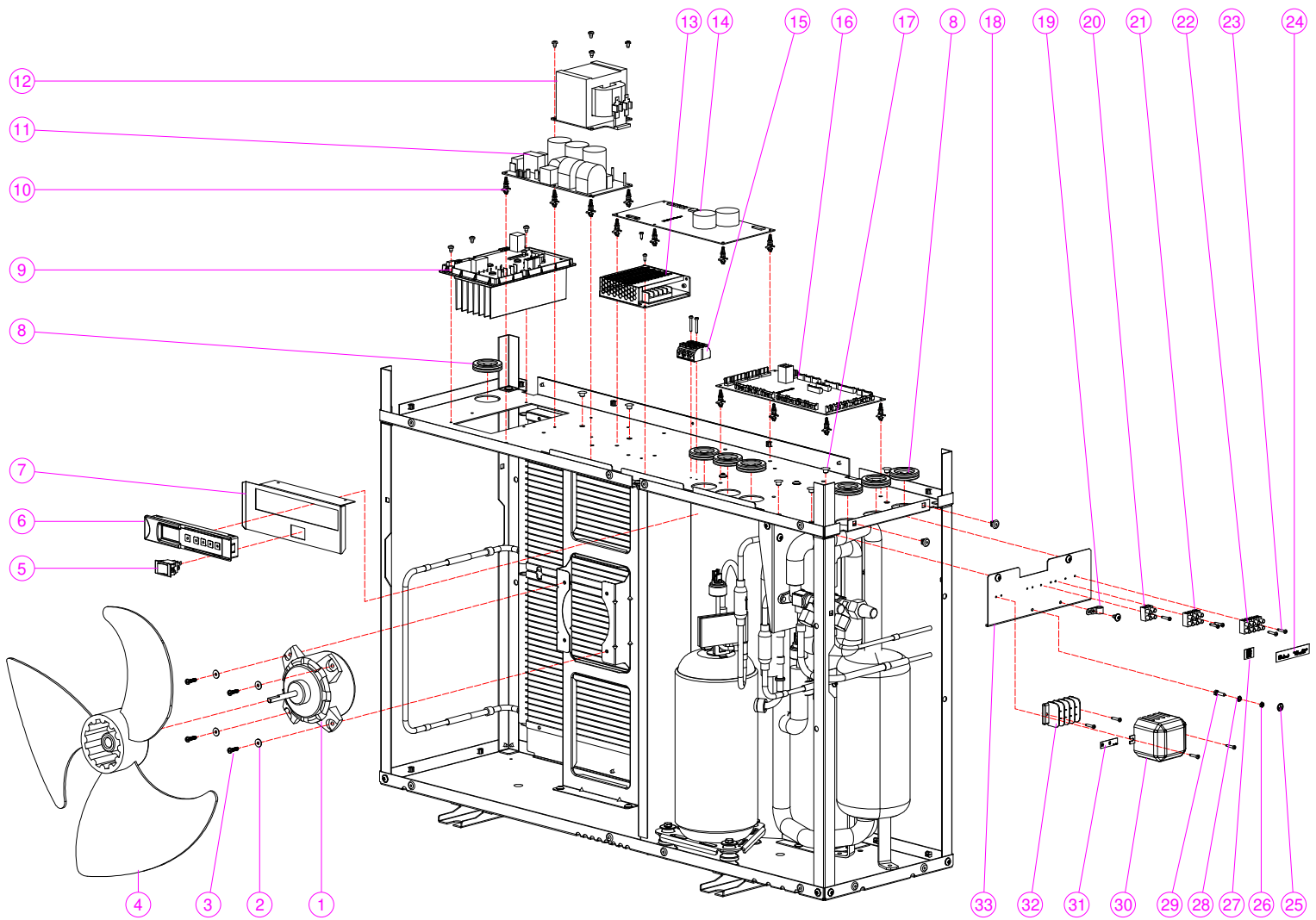
Contents	Page
OUTER BOX PART	2
ELECTRICAL COMPONENTS	3
INSIDE OF STORAGE	5
WIRING DIAGRAM	7



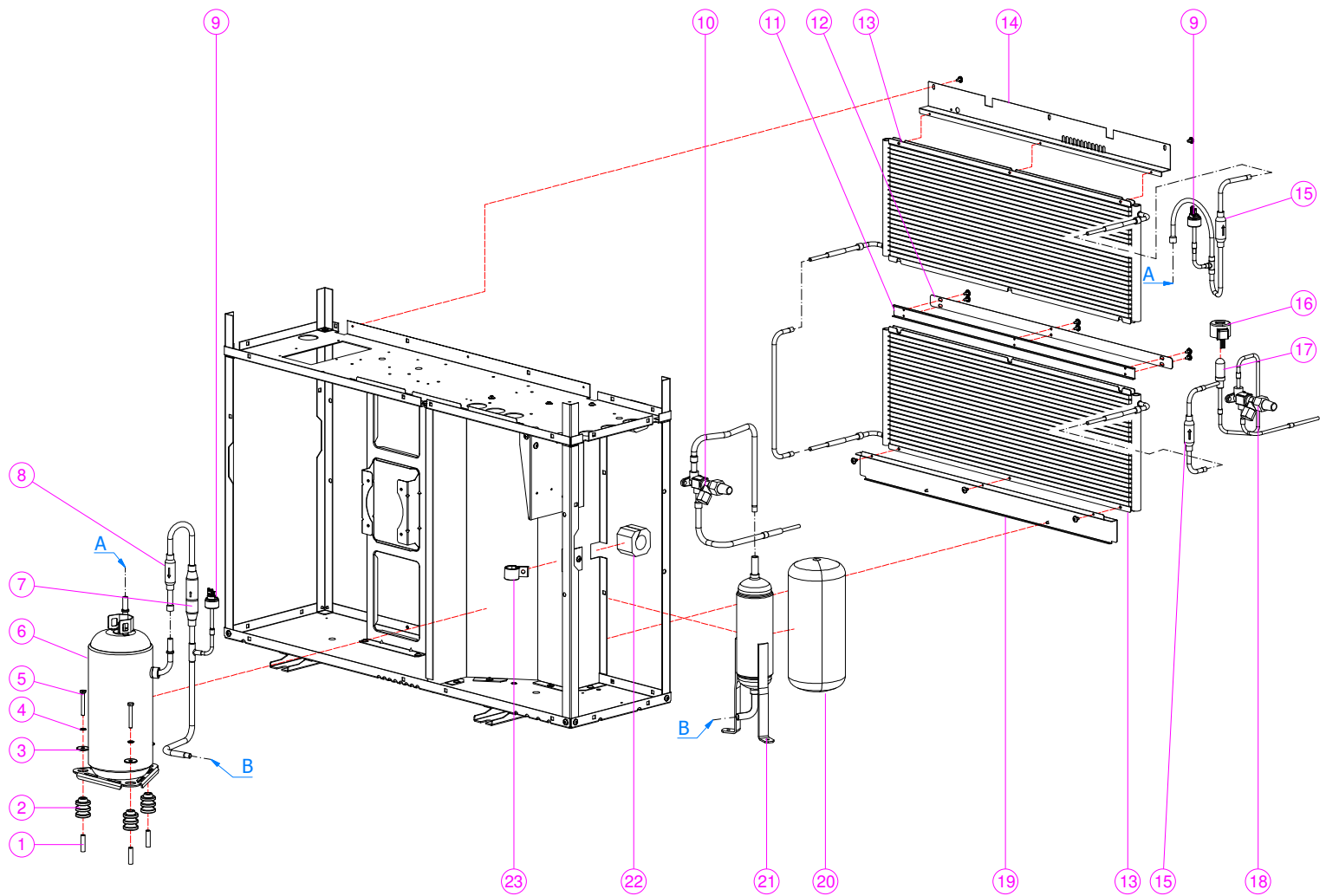
Pos	Code	Description	Serial Number	Nota
1	44004-42851-A	FAN GUARD		
2	414545/1	PANEL FRONT LEFT CDU02S		
3	40307-43221-A	SHROUD		
4	391163/2	SCREW 4,2X13 STAINL.W/O POINT		
5	414824/1	FRONT PANEL CDU02S		
6	414825/1	PANEL RH CDU02S		
7	411252	HANDLE		
8	414595	ASSY WIRE		
9	414578/1	PANEL REAR RIGHT CDU02S		
10	414582/1	ELEC.COVER CDU02S		
11	414583/1	PIPE COVER CDU02S		
12	323005	SNAP IN NUT		
13	414546/1	PANEL REAR UPPER CDU02S		
14	414544/1	TOP PANEL CDU02S		
15	414547/1	PANEL LEFT CDUC2S		
16	40970-43450	LOGO SANDEN		
17	24031-44430	WINDOW COVER		
18	415249	INSPECTION WINDOW FOR CDU-S		
19	21619-40890	PL PLT CS		



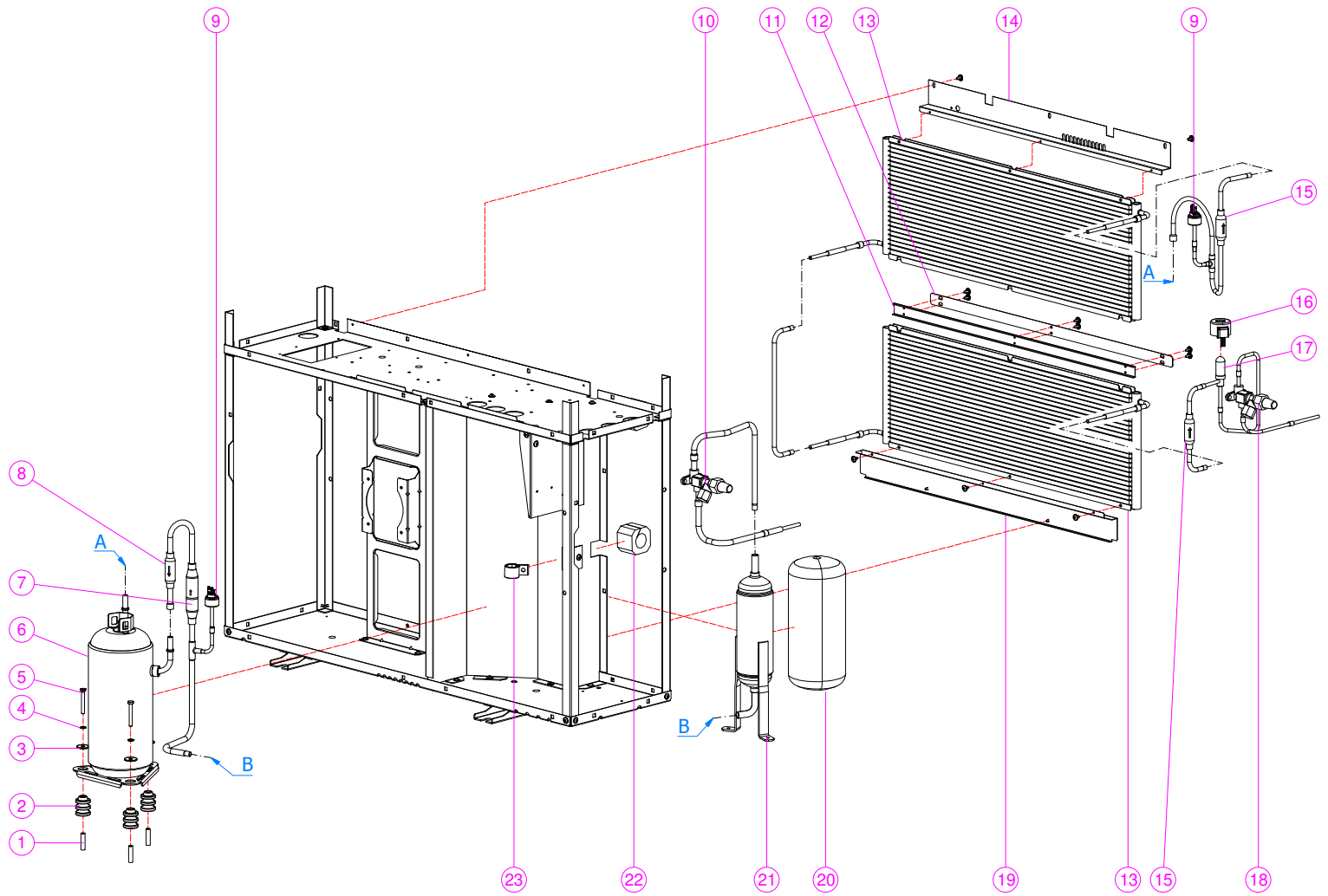
Pos	Code	Description	Serial Number	Nota
1	93501-54220	FAN MOTOR SIC-65FV-F515-2		
2	381240	FLAT WASHER 4X12X1		
3	371110/2	SCREW, TC+ 4MAX16		
4	42815-40280	PROPELLER FAN HP		
5	8913-0467	SW. HLS208N		
6	24073-Z0030	OPERATION PLT AU		
7	414575/1	PCB BOX A 24911-53650		
8	413904/1	FAIRLEAD		
9	7820001H10	INV LOW STAGE ASSY C90B		
10	386348	SUPPORT		
11	20725-13570	PCB FILTER ASSY B		
12	91002-54050	SIGNAL TERMINAL PLT		
13	409847	POWER SWITCHING LRS-75-24		
14	FMU-32801	PCS FMU-32801		
15	412898	TERMINAL BOARD		
16	20725-14350	ASSY SCU-8B6MRT5-A SET UP		
17	414830	CAP Ø7		
18	323005	SNAP IN NUT		
19	369816	CLAMP		
20	381954/5	TERMINAL BOARD 2 WAY		
21	381954/1	TERMINAL BOARD 3 WAYS		



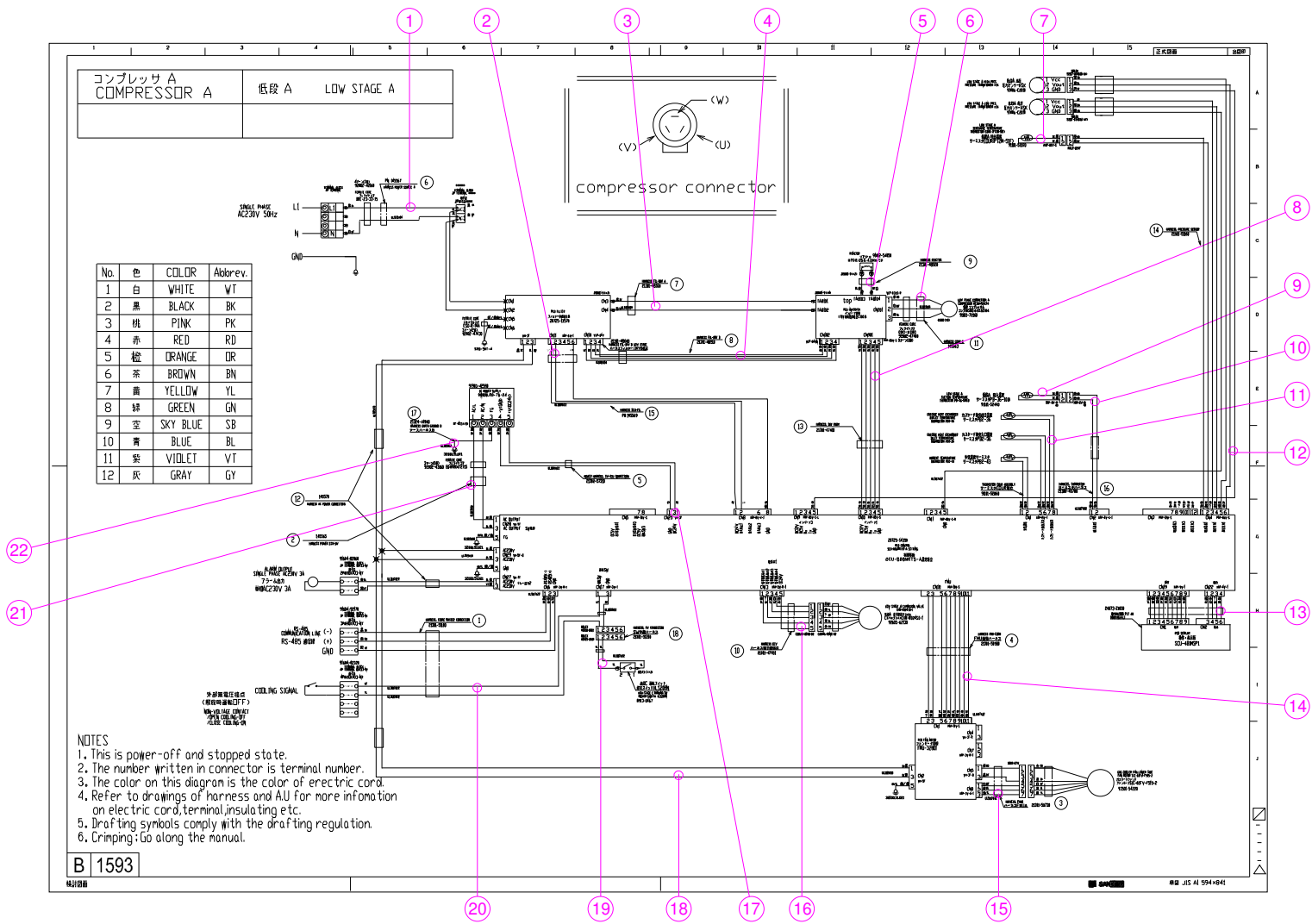
Pos	Code	Description	Serial Number	Nota
22	381954/2	TERMINAL BOARD 4 WAYS		
23	381603/9	SCREW TC+ 2,9X16 WITHOUT TIPS		
24	21604-42160	SIGNAL TERMINAL PLT		
25	412208	LABEL 465-0435		
26	381644	BRASS NUT M4		
27	21604-42170	COMMUNICATION PLT		
28	V801039	WASHER D.E. 4X8		
29	381643	SCREW TE 4MAX16 BRASS		
30	90604-82010	TERMINAL BLOCK COVER OK500-4P		
31	21604-42050	POWER TERMINAL PLT		
32	91604-A2300	TERMINAL BLOK 4P OK501-FH		
33	414828	TERMINAL MOUNTING		



Pos	Code	Description	Serial Number	Nota
1	414682	SPACER 6x8x32 INOX		
2	40580-41910	COMP ANTI-VIBRATION RUBBER		
3	381228	FLAT WASHER 6x24x2		
4	371115	WASHER D.E.6X11		
5	371288/4	SCREW TE 6MAX45 5739		
6	91001-72160	COMP. 8CS044ZAC64		
7	92605-B2110	CHECK VALVE CAV-10Y3C		
8	414752	FILTER CO2 19x2-70 FOR Ø10		
9	91406-C2010	PRESSURE TRANSDUCER HSK		
10	92605-C2050	CHARGE VALVE FCV-JY3		
11	414593	ANGLE BAR BD		
12	414592	HEX BKT		
13	25202-11610	ASSY AL-HEX		
14	414585/1	ANGLE BAR UPPER CDU02S		
15	414752/1	FILTER CO2 19x2-70 FOR Ø8		
16	92605-62130	EEV COIL CKM-MD24SD-1		
17	92605-54060	EEV CPM-B12YCSD-1		
18	92605-C2040	CHARGE VALVE FCV-JY2		
19	414589	ANGLE BAR LWR B		
20	414737	ACCUMULATOR COVER		
21	43103-40020	ACCUMULATOR ACM-M00070-507		

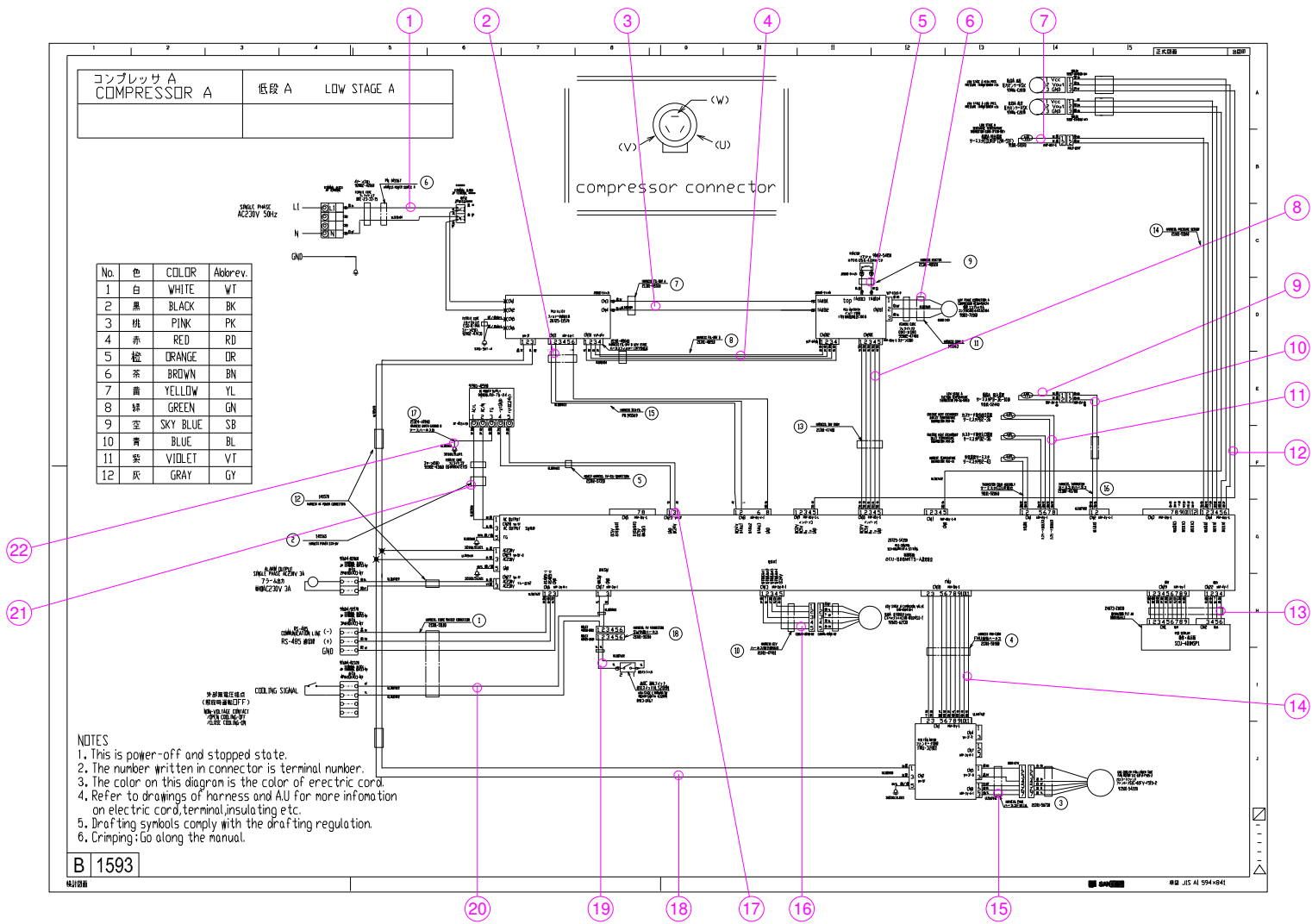


Pos	Code	Description	Serial Number	Nota
22	33590-48520	PUR 40X50X50		
23	8910-0263	CORD CLAMP 0542 22 15		



Pos	Code	Description	Serial Number	Nota
1	145567	POWER HARNESS A [21302-54850]		
2	145569	HARNESS SCU-FIL [21301-48530]		
3	21301-48500	HARNESS FIL-INV A		
4	21301-48510	HARNESS FIL-INV B		
5	21301-48520	HARNESS REACTOR		
6	145563	HARNESS COMP. C [21320-45210]		
7	91101-52070	THERMISTOR EOUR		
8	21301-47410	HARNESS, INV R02M		
9	91101-52440	THERMISTOR PB-36-10RD		
10	21308-43780	HARNESS THERMISTOR		
11	91101-52060	THERMISTOR EOUR ASSY		
12	21301-51160	HARNESS PRESSURE SENSOR		
13	24073-z0030	OPERATION PLT AU		
14	21301-50980	HARNESS FMU-COMM		
15	21301-50730	HARNESS FMUA		
16	21301-47431	EEV RELAY HARNESS		
17	21302-57310	POWER HARNESS SW-SCU CONNECT.		
18	145570	HARNESS AC POWER CONNECTION		
19	21301-51200	HARNESS SW CONNECTION		
20	21301-51180	HARNESS STORE MASTER CONNECT.		
21	145565	HARNESS POWER SCU-SW		





Pos	Code	Description	Serial Number	Nota
22	21324-40980	HARNESH HEARTH GROUND B		